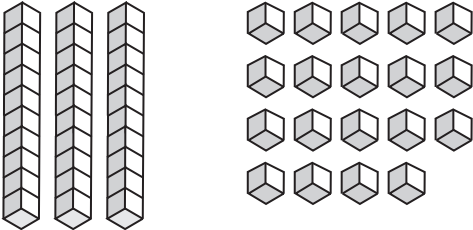


Place Value Blocks - 2 Digits

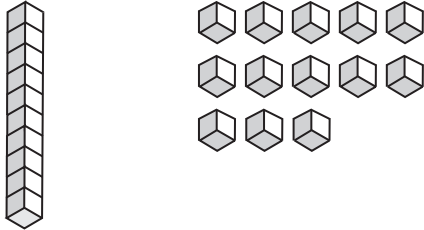
L254

Write the number formed by base ten blocks.


1)



2)



3)



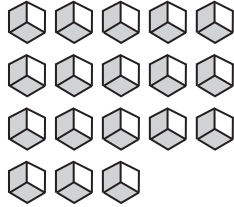
PREVIEW

Gain complete access to the largest collection of worksheets in all subjects!

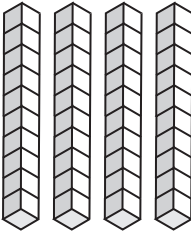
Members, please log in to download this worksheet.

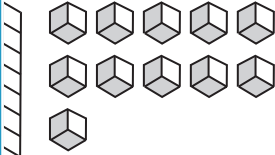
Not a member? Please sign up to gain complete access.

www.mathworksheets4kids.com

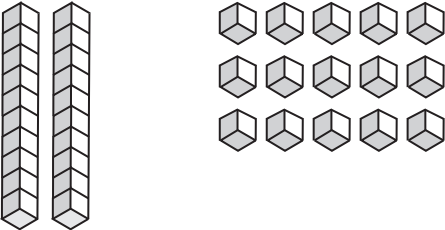


5)





7)



8)

