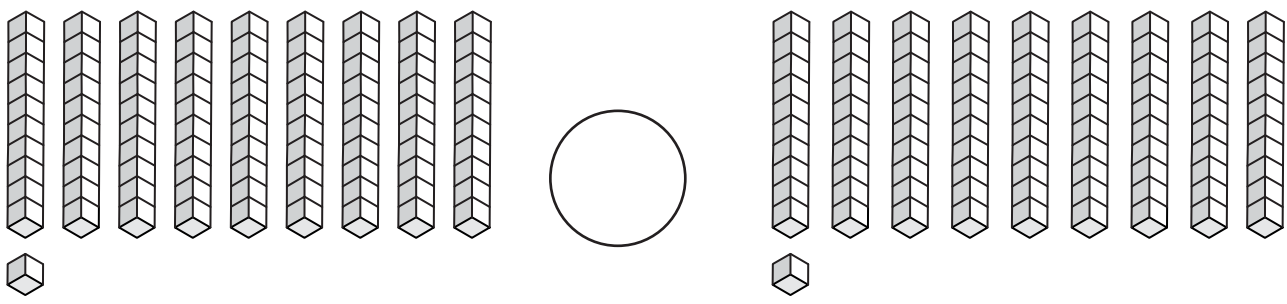


Name : \_\_\_\_\_

# Comparing 2-Digit Numbers - Base Ten Blocks

Count the base-ten blocks in each set, and compare using  $<$ ,  $>$ , or  $=$ .

1)



Two sets of base ten blocks are shown. The left set consists of 8 tens rods and 4 ones units. The right set consists of 8 tens rods and 4 ones units. A circle is placed between the two sets for comparison.

\_\_\_\_\_

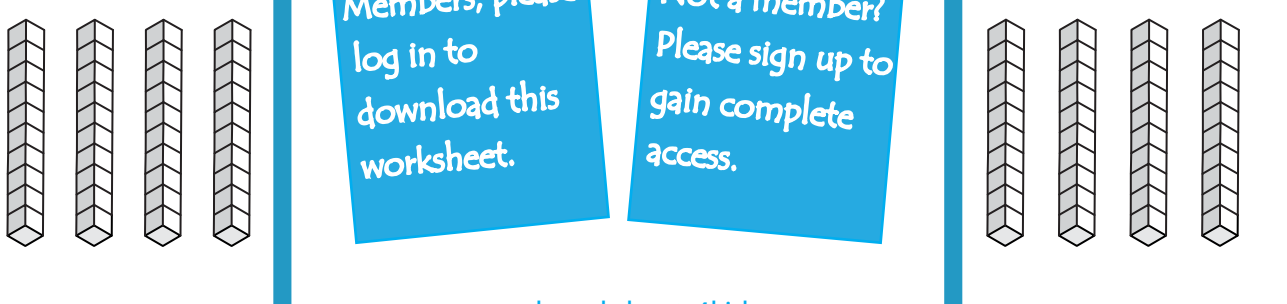
2)



Two sets of base ten blocks are shown. The left set consists of 2 tens rods and 4 ones units. The right set consists of 3 tens rods and 4 ones units. A circle is placed between the two sets for comparison.

\_\_\_\_\_

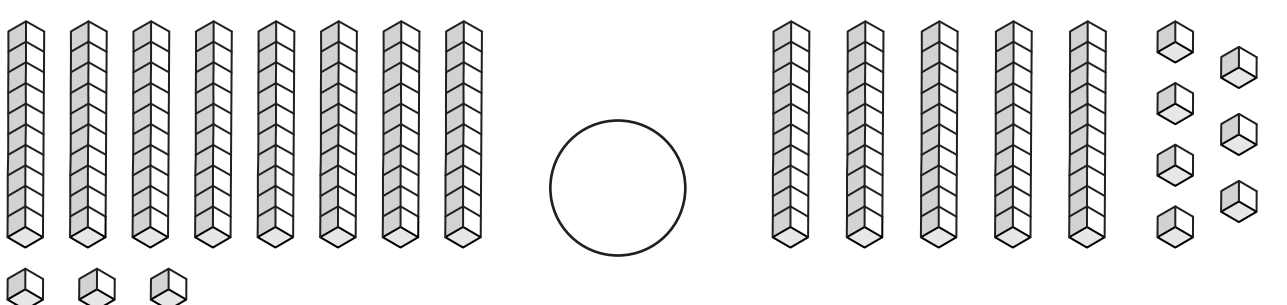
3)



Two sets of base ten blocks are shown. The left set consists of 3 tens rods and 4 ones units. The right set consists of 3 tens rods and 4 ones units. A circle is placed between the two sets for comparison.

\_\_\_\_\_

4)



Two sets of base ten blocks are shown. The left set consists of 8 tens rods and 3 ones units. The right set consists of 5 tens rods and 4 ones units. A circle is placed between the two sets for comparison.

\_\_\_\_\_

**PREVIEW**

Gain complete access to the largest collection of worksheets in all subjects!

Members, please log in to download this worksheet.

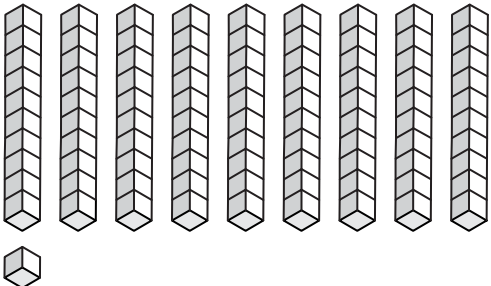
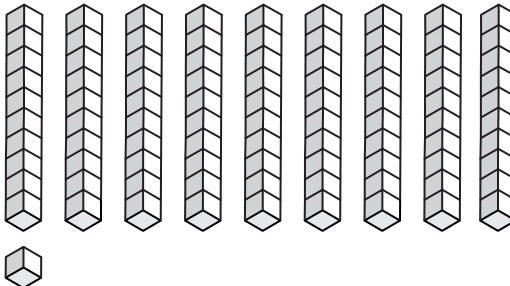
Not a member? Please sign up to gain complete access.

[www.mathworksheets4kids.com](http://www.mathworksheets4kids.com)

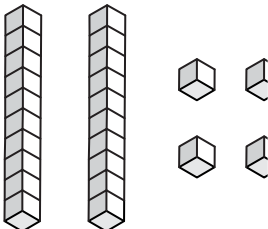
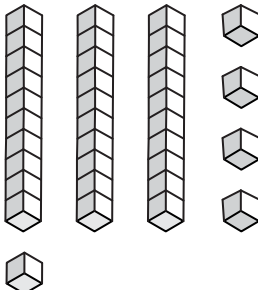
Name: \_\_\_\_\_

# Comparing 2-Digit Numbers - Base Ten Blocks

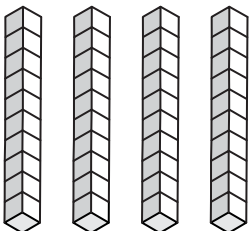
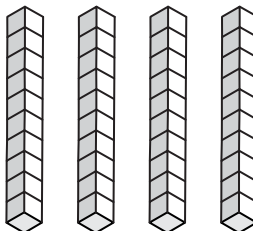
Count the base-ten blocks in each set, and compare using  $<$ ,  $>$ , or  $=$ .

1)   $=$  

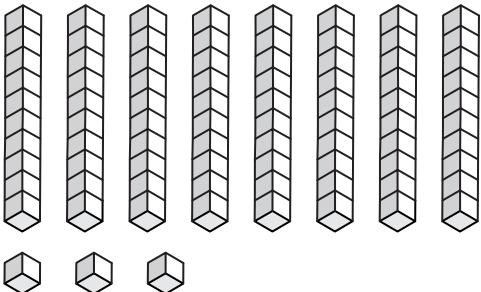
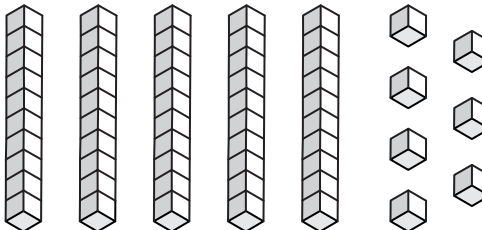
**91** **91**

2)  

**68**

3)  

**70**

4)   $>$  

**83** **57**

**PREVIEW**

Gain complete access to the largest collection of worksheets in all subjects!

Members, please log in to download this worksheet.

Not a member? Please sign up to gain complete access.

[www.mathworksheets4kids.com](http://www.mathworksheets4kids.com)