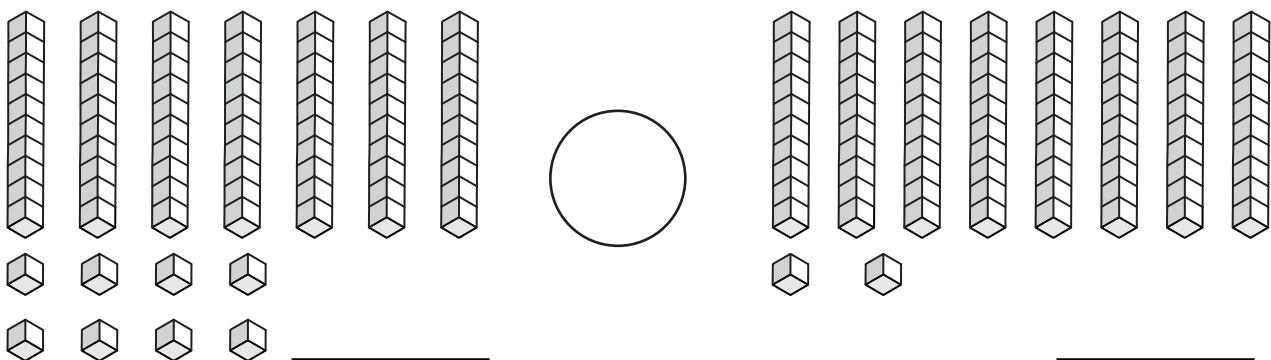


Name: _____

Comparing 2-Digit Numbers - Base Ten Blocks

Count the base-ten blocks in each set, and compare using $<$, $>$, or $=$.

1)



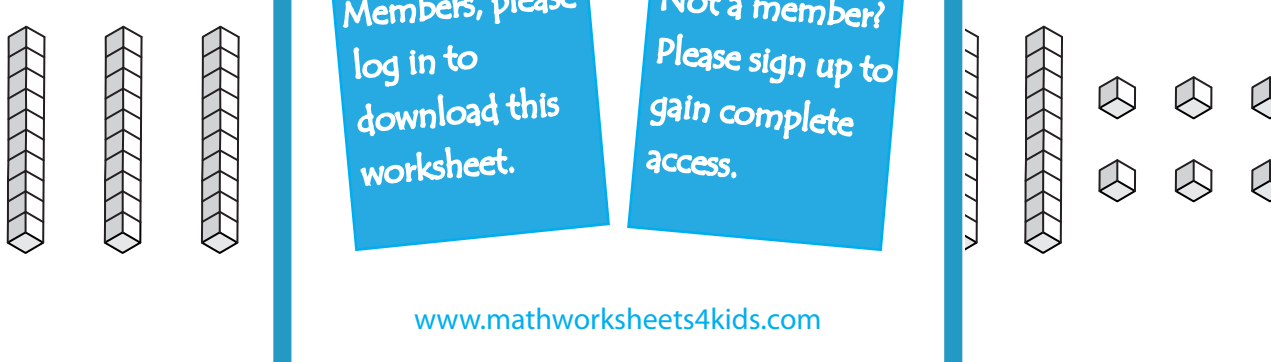
Detailed description: This problem shows two sets of base ten blocks. The first set consists of 4 tens rods and 3 ones units, representing the number 43. The second set consists of 5 tens rods and 2 ones units, representing the number 52. A circle is placed between the two sets for comparison. Below each set is a blank line for the answer.

2)



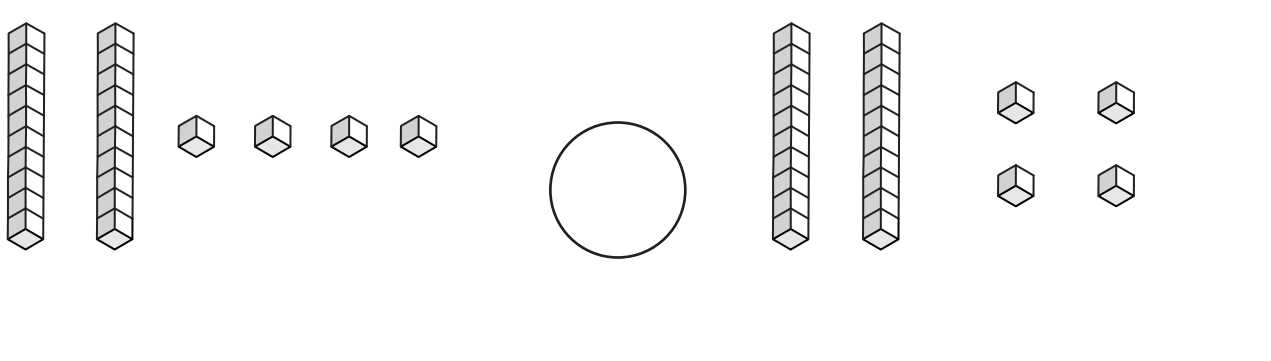
Detailed description: This problem shows two sets of base ten blocks. The first set consists of 3 tens rods and 4 ones units, representing the number 34. The second set consists of 2 tens rods and 3 ones units, representing the number 23. A circle is placed between the two sets for comparison. Below each set is a blank line for the answer.

3)



Detailed description: This problem shows two sets of base ten blocks. The first set consists of 2 tens rods and 3 ones units, representing the number 23. The second set consists of 1 ten rod and 6 ones units, representing the number 16. A circle is placed between the two sets for comparison. Below each set is a blank line for the answer.

4)



Detailed description: This problem shows two sets of base ten blocks. The first set consists of 1 ten rod and 4 ones units, representing the number 14. The second set consists of 2 tens rods and 2 ones units, representing the number 22. A circle is placed between the two sets for comparison. Below each set is a blank line for the answer.

PREVIEW

Gain complete access to the largest collection of worksheets in all subjects!

Members, please log in to download this worksheet.

Not a member? Please sign up to gain complete access.

www.mathworksheets4kids.com

Name : _____

Comparing 2-Digit Numbers - Base Ten Blocks

Count the base-ten blocks in each set, and compare using $<$, $>$, or $=$.

1)

$78 < 82$

2)

$34 < 54$

3)

$34 < 46$

4)

$24 = 24$

PREVIEW

Gain complete access to the largest collection of worksheets in all subjects!

Members, please log in to download this worksheet.

Not a member? Please sign up to gain complete access.

www.mathworksheets4kids.com