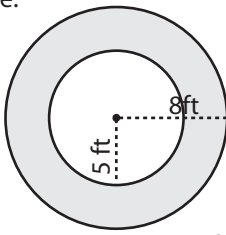


Concentric Circle - Area

Example:



Area = ?

Area of shaded region = (Area of outer circle) - (Area of inner circle)

$$\begin{aligned}
 &= \pi R^2 - \pi r^2 \\
 &= \pi (R^2 - r^2) \\
 &= \pi (8^2 - 5^2) \\
 &= \pi (64 - 25) \\
 &= \mathbf{39\pi \text{ ft}^2}
 \end{aligned}$$

Find the area of the shaded region in terms of π .

1)

Area =

2)

Area =

3)

Area =

4)

Area =

5)

Area =

6)

Area =

7)

Area =

8)

Area =

PREVIEW

Gain complete access to the largest collection of worksheets in all subjects!

Members, please log in to download this worksheet.

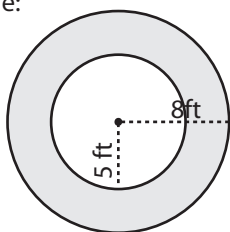
Not a member? Please sign up to gain complete access.

www.mathworksheets4kids.com

Name : _____

Concentric Circle - Area

Example:

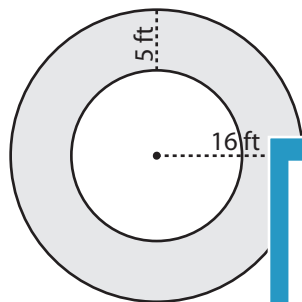


Area = ?

$$\begin{aligned} \text{Area of shaded region} &= (\text{Area of outer circle}) - (\text{Area of inner circle}) \\ &= \pi R^2 - \pi r^2 \\ &= \pi (R^2 - r^2) \\ &= \pi (8^2 - 5^2) \\ &= \pi (64 - 25) \\ &= \mathbf{39\pi \text{ ft}^2} \end{aligned}$$

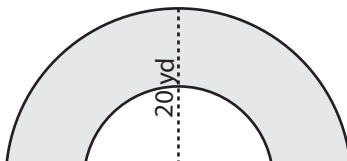
Find the area of the shaded region in terms of π .

1)

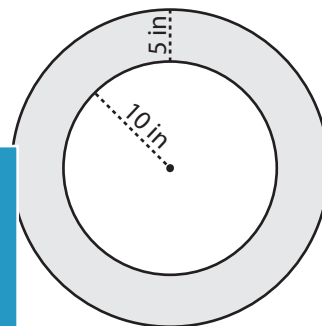


Area = $\mathbf{135\pi \text{ ft}^2}$

2)

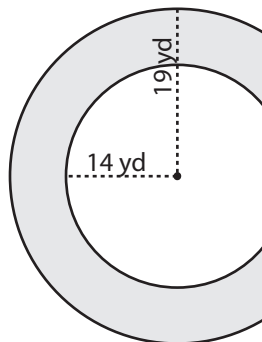


3)

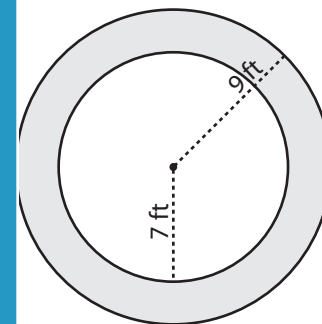


Area = $\mathbf{125\pi \text{ in}^2}$

4)

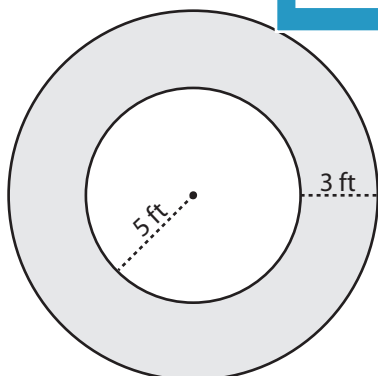


Area = $\mathbf{165\pi \text{ yd}^2}$

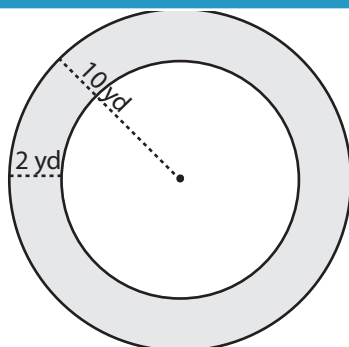


Area = $\mathbf{32\pi \text{ ft}^2}$

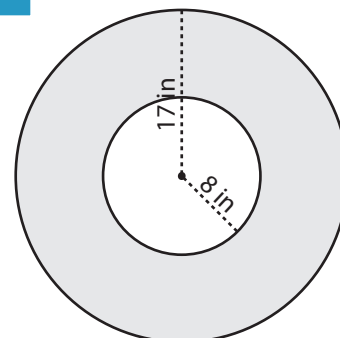
7)



Area = $\mathbf{39\pi \text{ ft}^2}$



Area = $\mathbf{36\pi \text{ yd}^2}$



Area = $\mathbf{225\pi \text{ in}^2}$

PREVIEW

Gain complete access to the largest collection of worksheets in all subjects!

Members, please log in to download this worksheet.

Not a member? Please sign up to gain complete access.

www.mathworksheets4kids.com