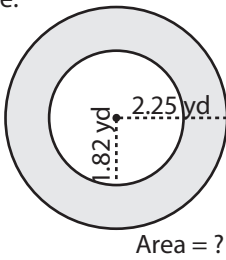


Name : \_\_\_\_\_

DS1

## Concentric Circle - Area

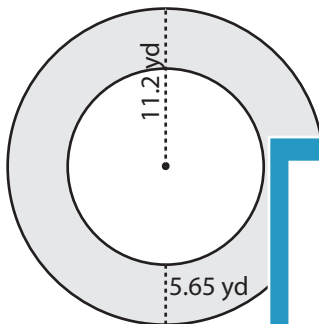
Example:



$$\begin{aligned} \text{Area of shaded region} &= (\text{Area of outer circle}) - (\text{Area of inner circle}) \\ &= \pi R^2 - \pi r^2 \\ &= \pi (R^2 - r^2) \\ &= 3.14 \times (2.25^2 - 1.82^2) \\ &= 3.14 \times (5.0625 - 3.3124) \\ &= 5.50 \text{ yd}^2 \end{aligned}$$

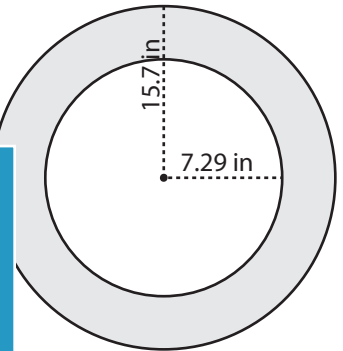
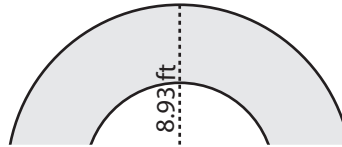
Find the area of each shaded region. Round your answer to two decimal places. (use  $\pi = 3.14$ )

1)



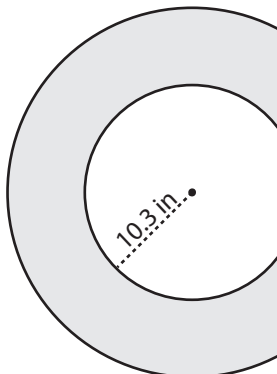
Area =

2)



Area =

4)



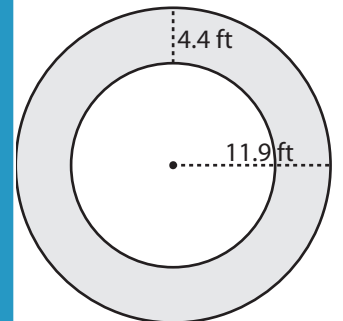
Area =

**PREVIEW**  
Gain complete access to the largest collection of worksheets in all subjects!

Members, please log in to download this worksheet.

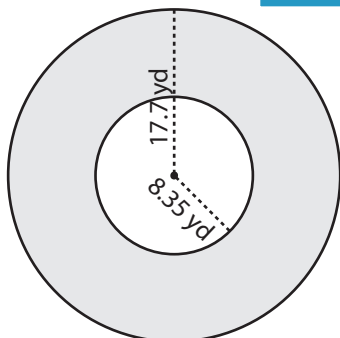
Not a member? Please sign up to gain complete access.

[www.mathworksheets4kids.com](http://www.mathworksheets4kids.com)

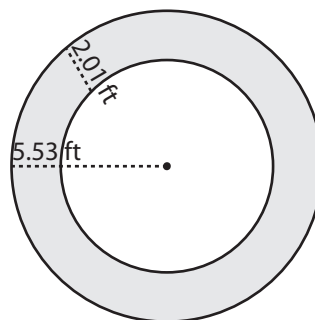


Area =

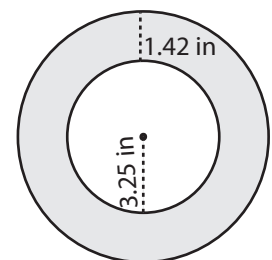
7)



Area =



Area =

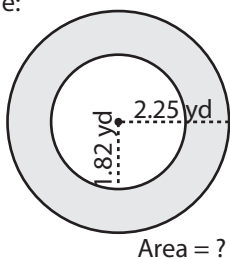


Area =

Name : \_\_\_\_\_

**Concentric Circle - Area**

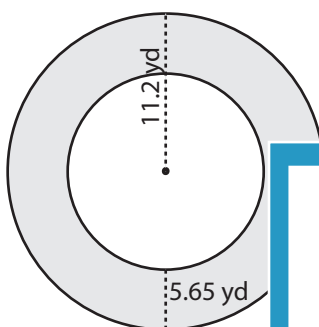
Example:



$$\begin{aligned} \text{Area of shaded region} &= (\text{Area of outer circle}) - (\text{Area of inner circle}) \\ &= \pi R^2 - \pi r^2 \\ &= \pi (R^2 - r^2) \\ &= 3.14 \times (2.25^2 - 1.82^2) \\ &= 3.14 \times (5.0625 - 3.3124) \\ &= \mathbf{5.50 \text{ yd}^2} \end{aligned}$$

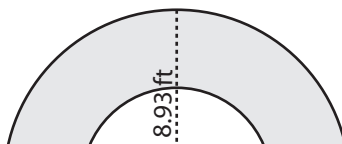
Find the area of each shaded region. Round your answer to two decimal places. (use  $\pi = 3.14$ )

1)

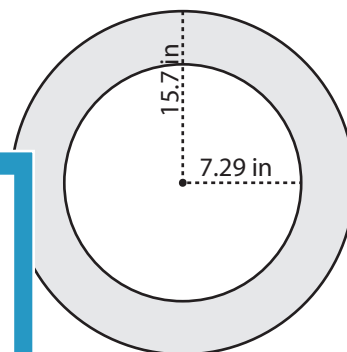


Area = **297.16 yd<sup>2</sup>**

2)

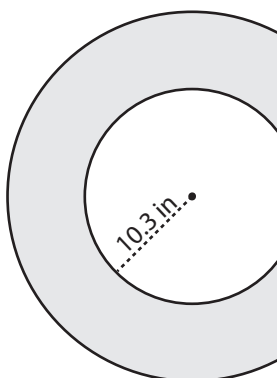


3)

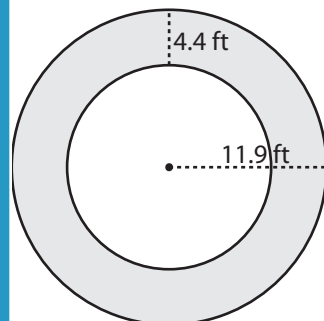


Area = **607.11 in<sup>2</sup>**

4)

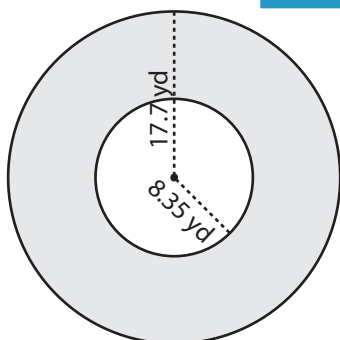


Area = **819.59 in<sup>2</sup>**

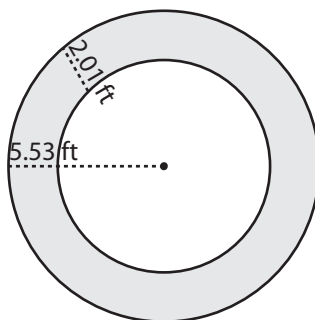


Area = **268.03 ft<sup>2</sup>**

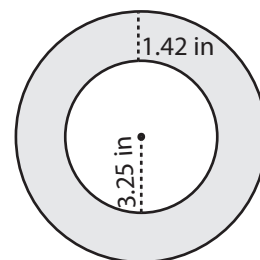
7)



Area = **764.80 yd<sup>2</sup>**



Area = **57.12 ft<sup>2</sup>**



Area = **35.31 in<sup>2</sup>**

**PREVIEW**

Gain complete access to the largest collection of worksheets in all subjects!

Members, please log in to download this worksheet.

Not a member? Please sign up to gain complete access.

[www.mathworksheets4kids.com](http://www.mathworksheets4kids.com)