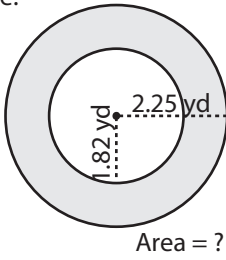


Concentric Circle - Area

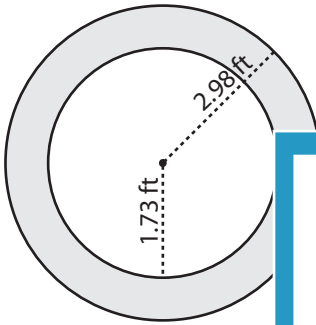
Example:



$$\begin{aligned}
 \text{Area of shaded region} &= (\text{Area of outer circle}) - (\text{Area of inner circle}) \\
 &= \pi R^2 - \pi r^2 \\
 &= \pi (R^2 - r^2) \\
 &= 3.14 \times (2.25^2 - 1.82^2) \\
 &= 3.14 \times (5.0625 - 3.3124) \\
 &= \mathbf{5.50 \text{ yd}^2}
 \end{aligned}$$

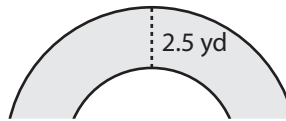
Find the area of each shaded region. Round your answer to two decimal places. (use $\pi = 3.14$)

1)

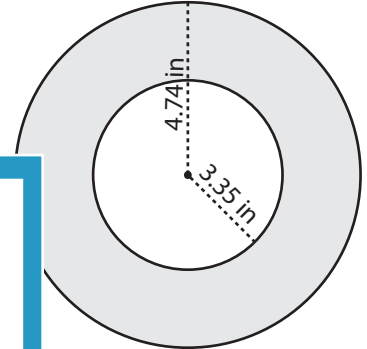


Area =

2)

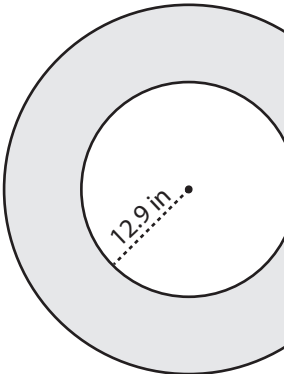


3)

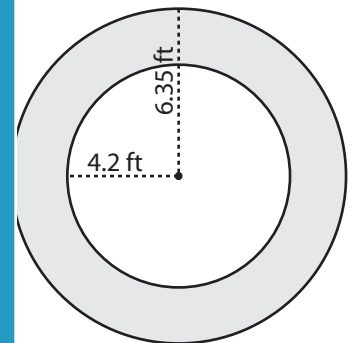


Area =

4)

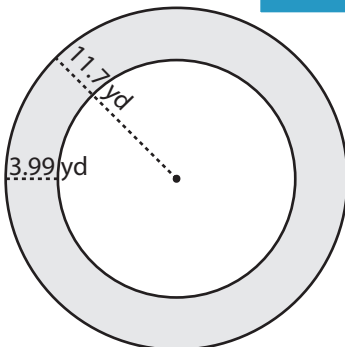


Area =

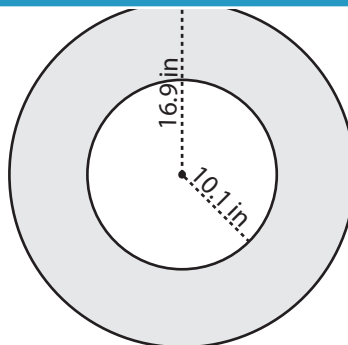


Area =

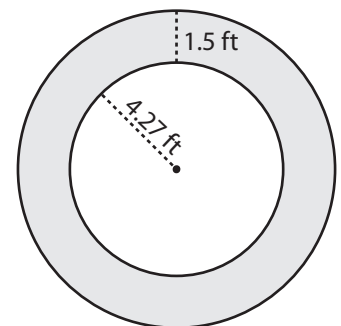
7)



Area =



Area =



Area =

PREVIEW

Gain complete access to the largest collection of worksheets in all subjects!

Members, please log in to download this worksheet.

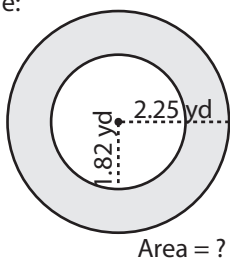
Not a member? Please sign up to gain complete access.

www.mathworksheets4kids.com

Name : _____

Concentric Circle - Area

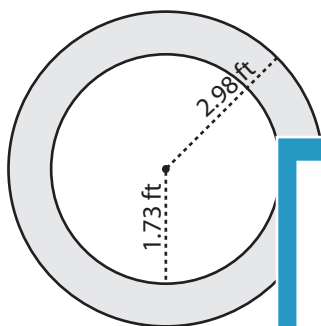
Example:



$$\begin{aligned}
 \text{Area of shaded region} &= (\text{Area of outer circle}) - (\text{Area of inner circle}) \\
 &= \pi R^2 - \pi r^2 \\
 &= \pi (R^2 - r^2) \\
 &= 3.14 \times (2.25^2 - 1.82^2) \\
 &= 3.14 \times (5.0625 - 3.3124) \\
 &= \mathbf{5.50 \text{ yd}^2}
 \end{aligned}$$

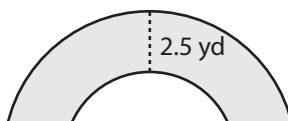
Find the area of each shaded region. Round your answer to two decimal places. (use $\pi = 3.14$)

1)

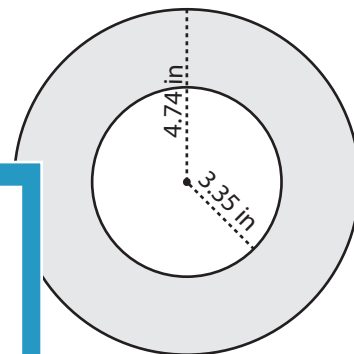


Area = **18.49 ft²**

2)

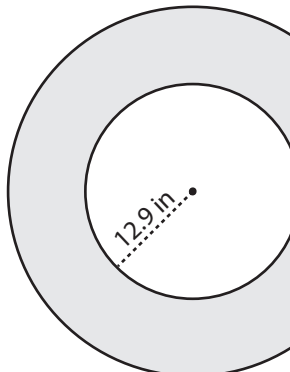


3)

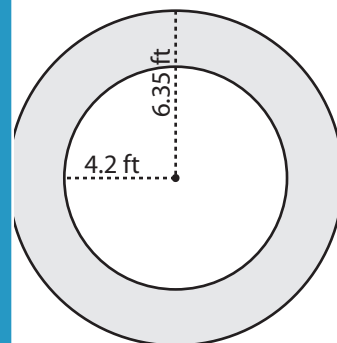


Area = **35.31 in²**

4)

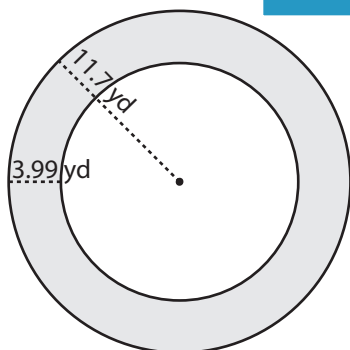


Area = **752.38 in²**

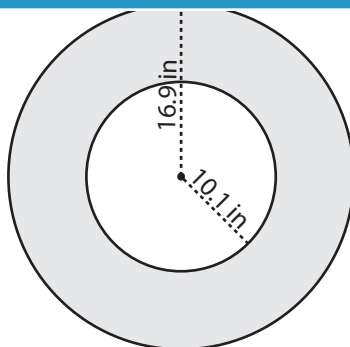


Area = **71.22 ft²**

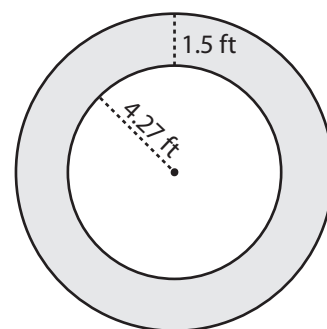
7)



Area = **243.18 yd²**



Area = **576.50 in²**



Area = **47.29 ft²**

PREVIEW

Gain complete access to the largest collection of worksheets in all subjects!

Members, please log in to download this worksheet.

Not a member? Please sign up to gain complete access.

www.mathworksheets4kids.com