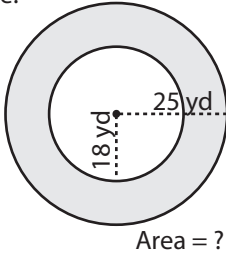


Name : _____

Concentric Circle - Area

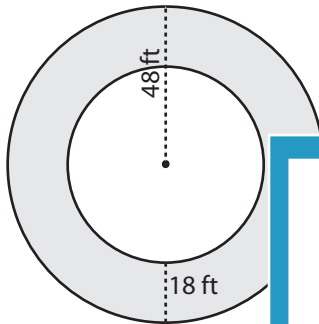
Example:



$$\begin{aligned} \text{Area of shaded region} &= (\text{Area of outer circle}) - (\text{Area of inner circle}) \\ &= \pi R^2 - \pi r^2 \\ &= \pi (R^2 - r^2) \\ &= 3.14 \times (25^2 - 18^2) \\ &= 3.14 \times (625 - 324) \\ &= \mathbf{945.1 \text{ yd}^2} \end{aligned}$$

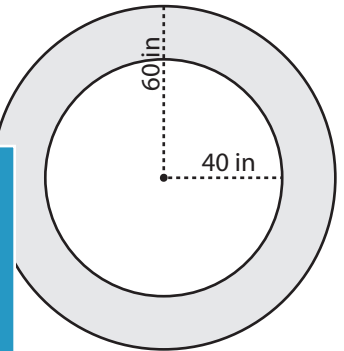
Find the area of each shaded region. Round your answer to the nearest tenth. (use $\pi = 3.14$)

1)



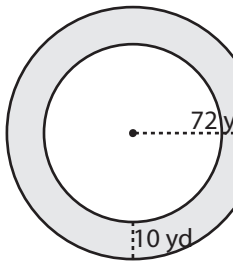
Area =

2)

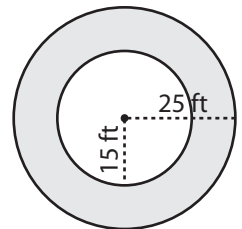


Area =

4)

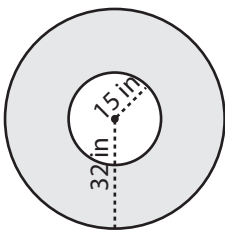


Area =

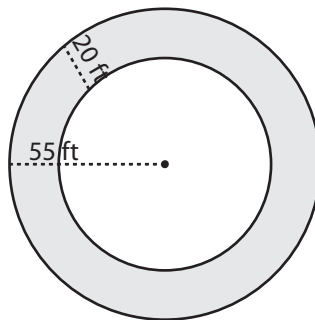


Area =

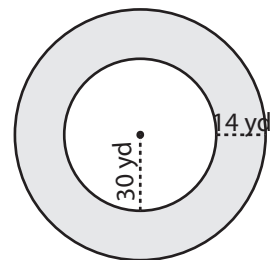
7)



Area =



Area =



Area =

PREVIEW

Gain complete access to the largest collection of worksheets in all subjects!

Members, please log in to download this worksheet.

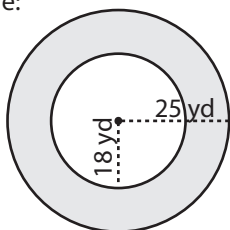
Not a member? Please sign up to gain complete access.

www.mathworksheets4kids.com

Name : _____

Concentric Circle - Area

Example:

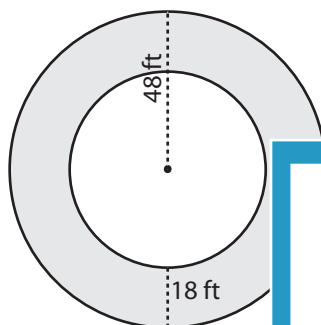


Area = ?

$$\begin{aligned} \text{Area of shaded region} &= (\text{Area of outer circle}) - (\text{Area of inner circle}) \\ &= \pi R^2 - \pi r^2 \\ &= \pi (R^2 - r^2) \\ &= 3.14 \times (25^2 - 18^2) \\ &= 3.14 \times (625 - 324) \\ &= \mathbf{945.1 \text{ yd}^2} \end{aligned}$$

Find the area of each shaded region. Round your answer to the nearest tenth. (use $\pi = 3.14$)

1)

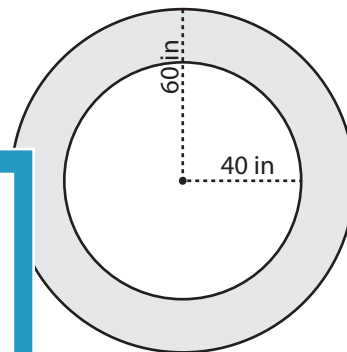


Area = **4408.6 ft²**

2)

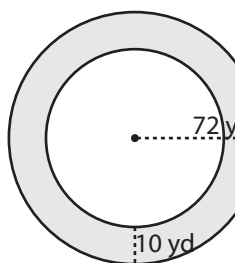


3)

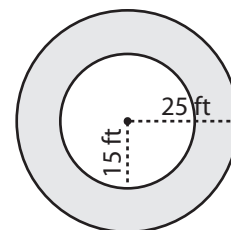


Area = **6280 in²**

4)

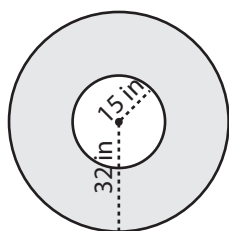


Area = **4207.6 yd²**

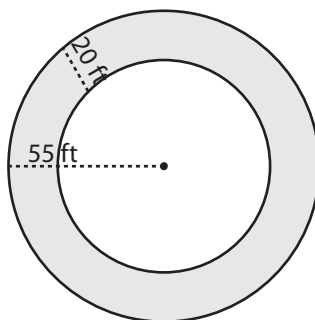


Area = **1256 ft²**

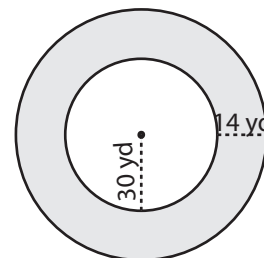
7)



Area = **2508.9 in²**



Area = **5652 ft²**



Area = **3253 yd²**

PREVIEW

Gain complete access to the largest collection of worksheets in all subjects!

Members, please log in to download this worksheet.

Not a member? Please sign up to gain complete access.

www.mathworksheets4kids.com