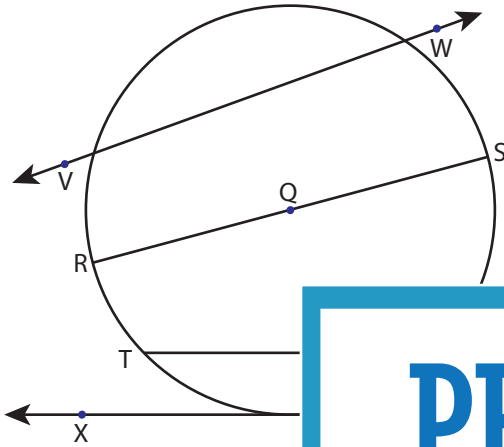


Parts of a Circle

Identify the parts of each circle.

1)

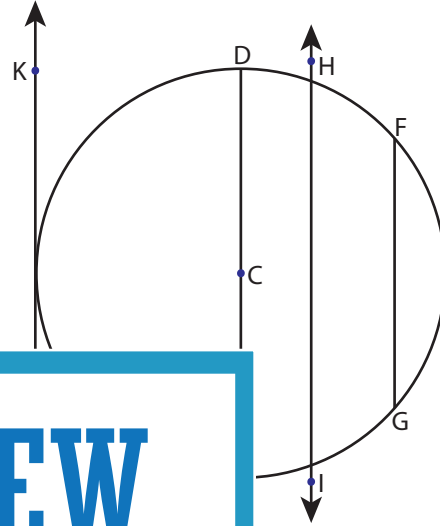


Center = _____

Radius = _____

Diameter = _____

2)

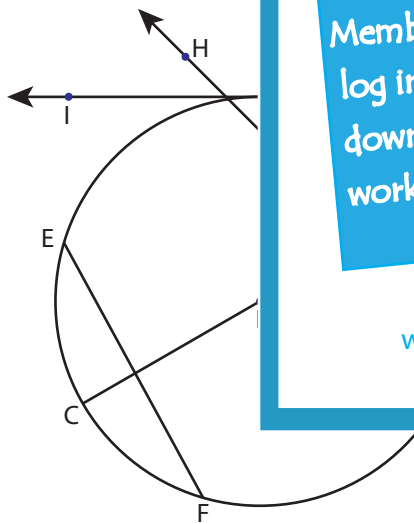


Chord = _____

Tangent = _____

Secant = _____

3)



Center = _____

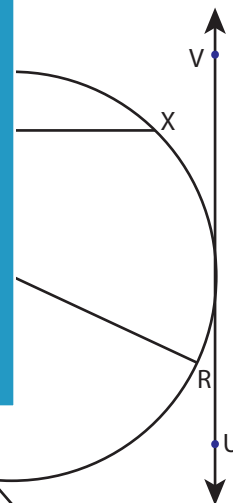
Chord = _____

Radius = _____

Tangent = _____

Diameter = _____

Secant = _____



Center = _____

Chord = _____

Radius = _____

Tangent = _____

Diameter = _____

Secant = _____

PREVIEW

Gain complete access to the largest collection of worksheets in all subjects!

Members, please log in to download this worksheet.

Not a member? Please sign up to gain complete access.

www.mathworksheets4kids.com

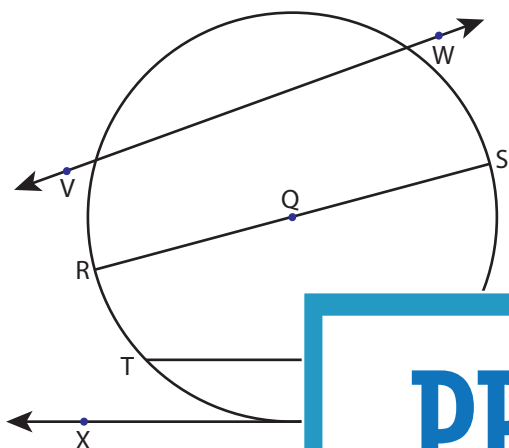
Name : _____

MS2

Parts of a Circle

Identify the parts of each circle.

1)

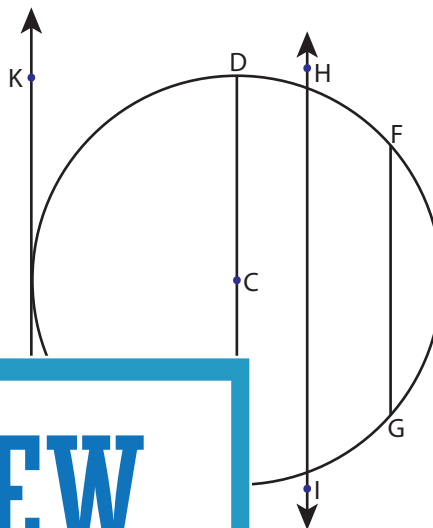


Center = Q

Radius = QR, QS

Diameter = RS

2)

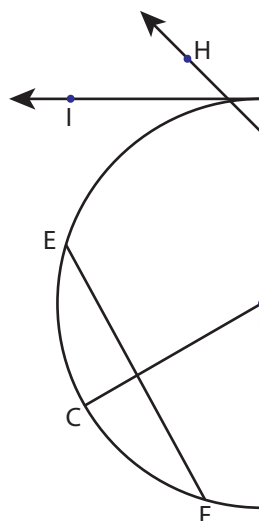


Chord = DE, FG

Tangent = JK

Secant = HI

3)



Center = B

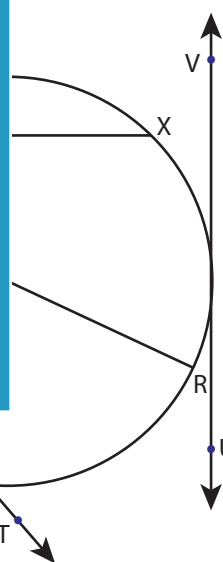
Chord = CD, EF

Radius = BC, BD

Tangent = IJ

Diameter = CD

Secant = GH



Center = P

Chord = QR, WX

Radius = PQ, PR

Tangent = VU

Diameter = QR

Secant = ST

PREVIEW

Gain complete access to the largest collection of worksheets in all subjects!

Members, please log in to download this worksheet.

Not a member? Please sign up to gain complete access.

www.mathworksheets4kids.com