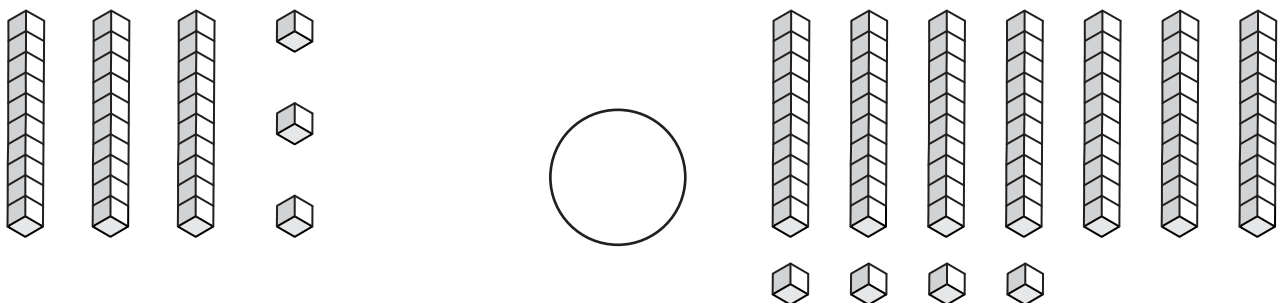


Name : \_\_\_\_\_

# Comparing 2-Digit Numbers - Base Ten Blocks

Count the base-ten blocks in each set, and compare using  $<$ ,  $>$ , or  $=$ .

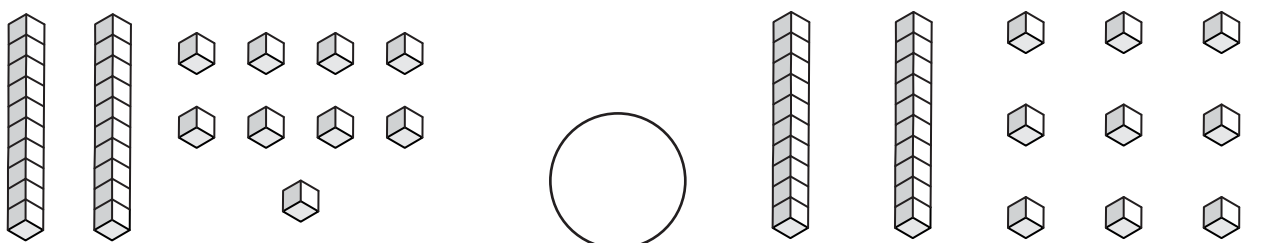
1)



Left set: 3 tens rods and 3 ones units. Right set: 7 tens rods and 4 ones units.

\_\_\_\_\_

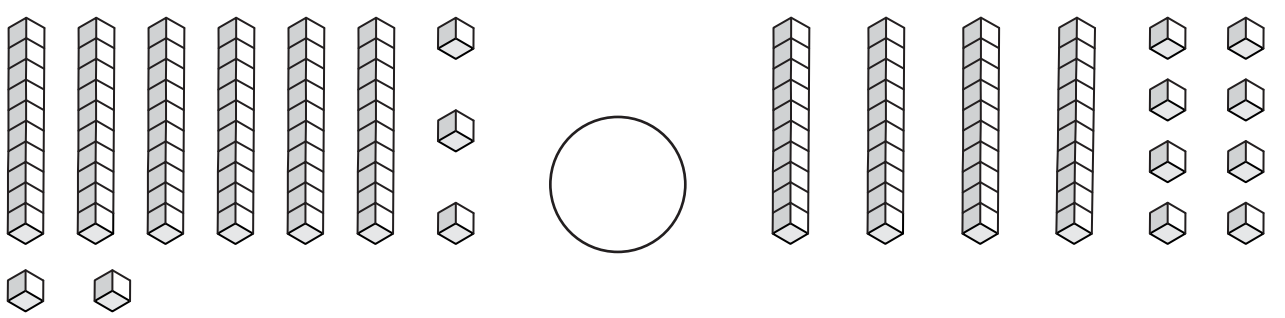
2)



Left set: 2 tens rods and 6 ones units. Right set: 2 tens rods and 9 ones units.

\_\_\_\_\_

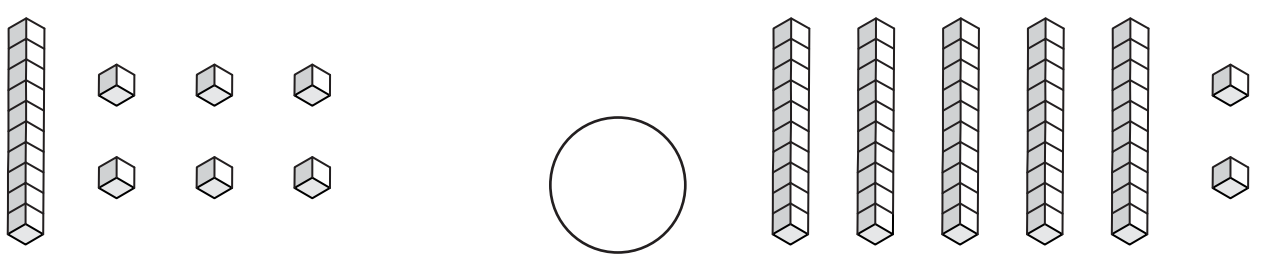
3)



Left set: 6 tens rods and 2 ones units. Right set: 4 tens rods and 6 ones units.

\_\_\_\_\_

4)



Left set: 1 ten rod and 6 ones units. Right set: 5 tens rods and 1 one unit.

\_\_\_\_\_

Name: \_\_\_\_\_

# Comparing 2-Digit Numbers - Base Ten Blocks

Count the base-ten blocks in each set, and compare using  $<$ ,  $>$ , or  $=$ .

1)

33                      74

2)

29                      29

3)

65                      48

4)

16                      52