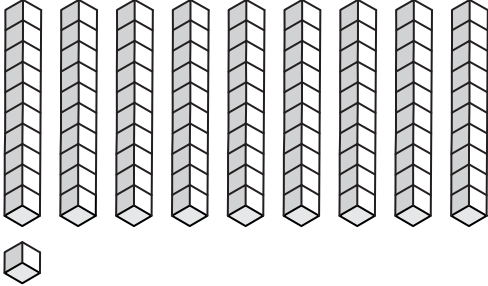


Name: \_\_\_\_\_

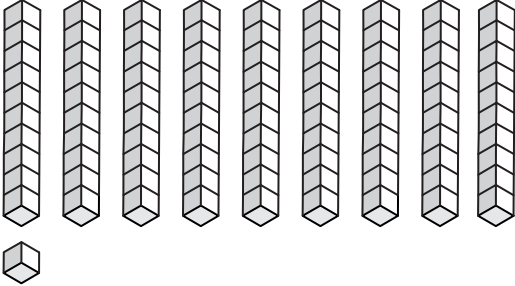
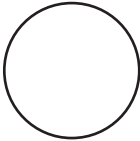
# Comparing 2-Digit Numbers - Base Ten Blocks

Count the base-ten blocks in each set, and compare using  $<$ ,  $>$ , or  $=$ .

1)



\_\_\_\_\_



\_\_\_\_\_

2)

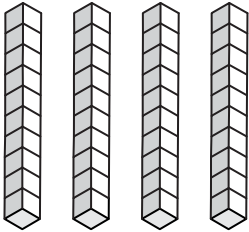


\_\_\_\_\_

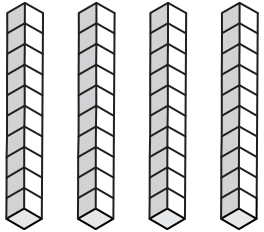


\_\_\_\_\_

3)

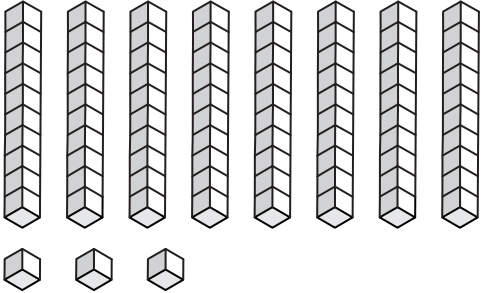


\_\_\_\_\_

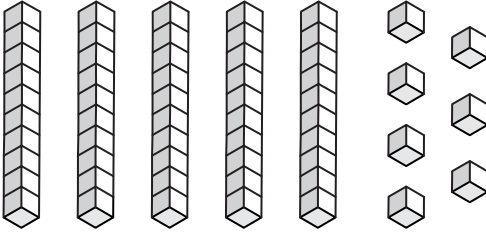
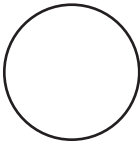


\_\_\_\_\_

4)



\_\_\_\_\_



\_\_\_\_\_

# PREVIEW

Gain complete access to the largest collection of worksheets in all subjects!

Members, please log in to download this worksheet.

Not a member? Please sign up to gain complete access.

[www.mathworksheets4kids.com](http://www.mathworksheets4kids.com)