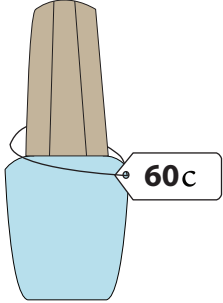
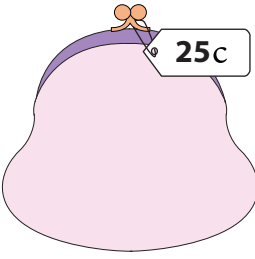


# What is Your Change?

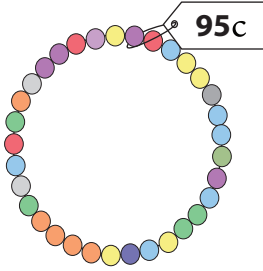
You pay \$1 for each item. Show the change you receive, with minimum number of coins.

1)  **60c**

\_\_\_\_\_ 50-cent coins  
 \_\_\_\_\_ 20-cent coins  
 \_\_\_\_\_ 10-cent coins  
 \_\_\_\_\_ 5-cent coins

2)  **25c**

\_\_\_\_\_ 50-cent coins  
 \_\_\_\_\_ 20-cent coins  
 \_\_\_\_\_ 10-cent coins  
 \_\_\_\_\_ 5-cent coins

3)  **95c**

## PREVIEW

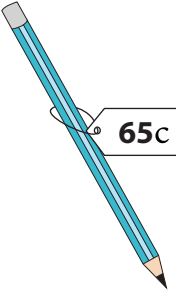
Gain complete access to the largest collection of worksheets in all subjects!

Members, please log in to download this worksheet.

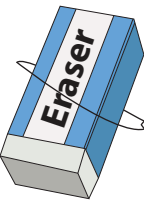
Not a member? Please sign up to gain complete access.

[www.mathworksheets4kids.com](http://www.mathworksheets4kids.com)

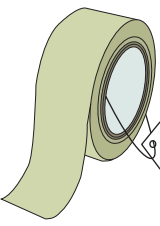
\_\_\_\_\_ 50-cent coins  
 \_\_\_\_\_ 20-cent coins  
 \_\_\_\_\_ 10-cent coins  
 \_\_\_\_\_ 5-cent coins

5)  **65c**

\_\_\_\_\_ 50-cent coins  
 \_\_\_\_\_ 20-cent coins  
 \_\_\_\_\_ 10-cent coins  
 \_\_\_\_\_ 5-cent coins

7)  **40c**

\_\_\_\_\_ 50-cent coins  
 \_\_\_\_\_ 20-cent coins  
 \_\_\_\_\_ 10-cent coins  
 \_\_\_\_\_ 5-cent coins

8)  **15c**

\_\_\_\_\_ 50-cent coins  
 \_\_\_\_\_ 20-cent coins  
 \_\_\_\_\_ 10-cent coins  
 \_\_\_\_\_ 5-cent coins