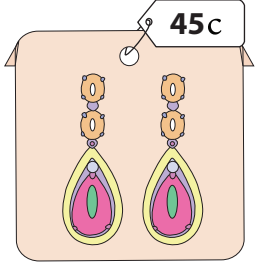
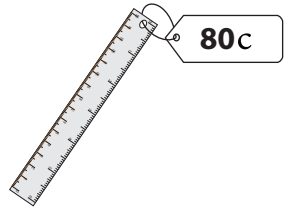
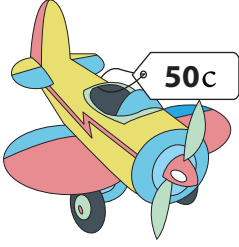


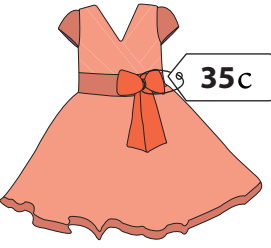
What is Your Change?

You pay \$1 for each item. Show the change you receive, with minimum number of coins.

1)  _____ 50-cent coins
 _____ 20-cent coins
 _____ 10-cent coins
 _____ 5-cent coins

2)  _____ 50-cent coins
 _____ 20-cent coins
 _____ 10-cent coins
 _____ 5-cent coins

3)  _____ 50-cent coins
 _____ 20-cent coins
 _____ 10-cent coins
 _____ 5-cent coins

5)  _____ 50-cent coins
 _____ 20-cent coins
 _____ 10-cent coins
 _____ 5-cent coins

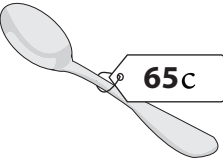
PREVIEW

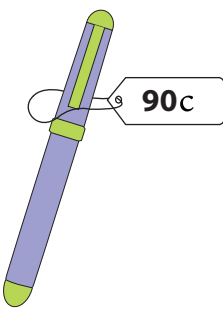
Gain complete access to the largest collection of worksheets in all subjects!

Members, please log in to download this worksheet.

Not a member? Please sign up to gain complete access.

www.mathworksheets4kids.com

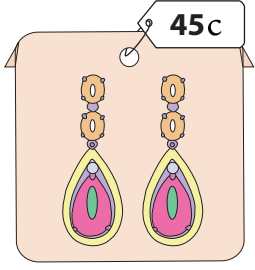
7)  _____ 50-cent coins
 _____ 20-cent coins
 _____ 10-cent coins
 _____ 5-cent coins

8)  _____ 50-cent coins
 _____ 20-cent coins
 _____ 10-cent coins
 _____ 5-cent coins

What is Your Change?

You pay \$1 for each item. Show the change you receive, with minimum number of coins.

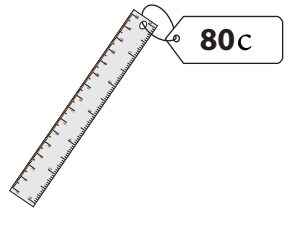
1)



45c

 1 50-cent coins
 0 20-cent coins
 0 10-cent coins
 1 5-cent coins

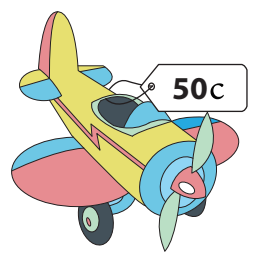
2)



80c

 0 50-cent coins
 1 20-cent coins
 0 10-cent coins
 0 5-cent coins

3)



50c

PREVIEW

Gain complete access to the largest collection of worksheets in all subjects!

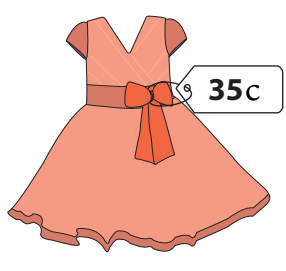
Members, please log in to download this worksheet.

Not a member? Please sign up to gain complete access.

www.mathworksheets4kids.com

 1 50-cent coins
 1 20-cent coins
 0 10-cent coins
 1 5-cent coins

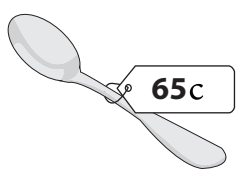
5)



35c

 1 50-cent coins
 0 20-cent coins
 1 10-cent coins
 0 5-cent coins

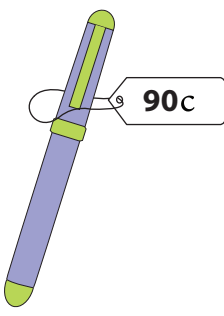
7)



65c

 0 50-cent coins
 1 20-cent coins
 1 10-cent coins
 1 5-cent coins

8)



90c

 0 50-cent coins
 0 20-cent coins
 1 10-cent coins
 0 5-cent coins