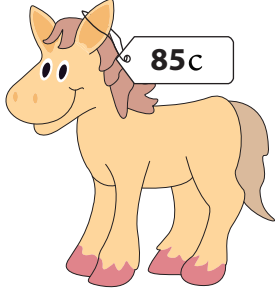
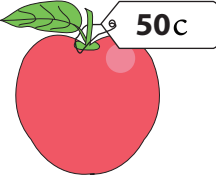
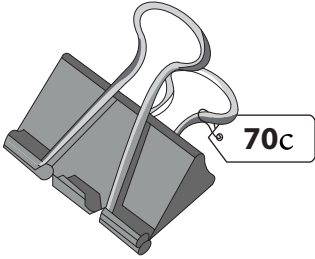


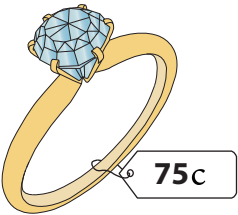
What is Your Change?

You pay \$1 for each item. Show the change you receive, with minimum number of coins.

1)  _____ 50-cent coins
_____ 20-cent coins
_____ 10-cent coins
_____ 5-cent coins

2)  _____ 50-cent coins
_____ 20-cent coins
_____ 10-cent coins
_____ 5-cent coins

3)  _____ 50-cent coins
_____ 20-cent coins
_____ 10-cent coins
_____ 5-cent coins

5)  _____ 50-cent coins
_____ 20-cent coins
_____ 10-cent coins
_____ 5-cent coins


PREVIEW

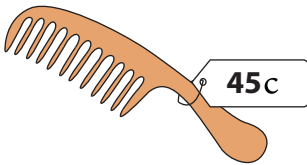
Gain complete access to the largest collection of worksheets in all subjects!

Members, please log in to download this worksheet.

Not a member? Please sign up to gain complete access.

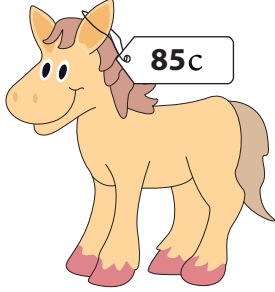
www.mathworksheets4kids.com

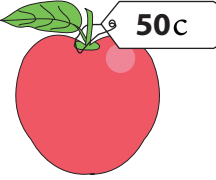
7)  _____ 50-cent coins
_____ 20-cent coins
_____ 10-cent coins
_____ 5-cent coins

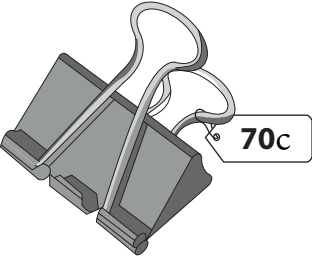
8)  _____ 50-cent coins
_____ 20-cent coins
_____ 10-cent coins
_____ 5-cent coins

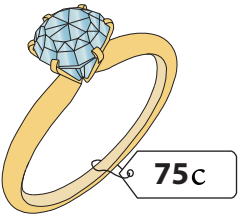
What is Your Change?

You pay \$1 for each item. Show the change you receive, with minimum number of coins.

1)  0 50-cent coins
0 20-cent coins
1 10-cent coins
1 5-cent coins

2)  1 50-cent coins
0 20-cent coins
0 10-cent coins
0 5-cent coins

3)  1 50-cent coins
1 20-cent coins
0 10-cent coins
0 5-cent coins

5)  1 50-cent coins
2 20-cent coins
0 10-cent coins
0 5-cent coins


PREVIEW

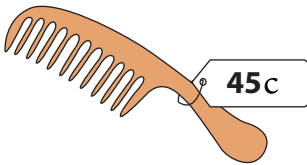
Gain complete access to the largest collection of worksheets in all subjects!

Members, please log in to download this worksheet.

Not a member? Please sign up to gain complete access.

www.mathworksheets4kids.com

7)  0 50-cent coins
0 20-cent coins
0 10-cent coins
1 5-cent coins

8)  1 50-cent coins
0 20-cent coins
0 10-cent coins
1 5-cent coins