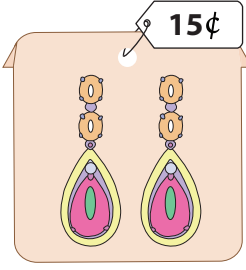


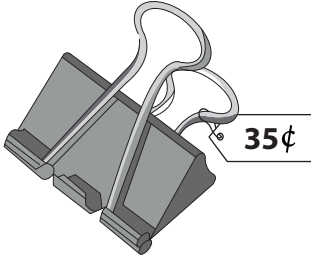
What is Your Change?

You pay \$1 for each item. Show the change you receive, with minimum number of coins.

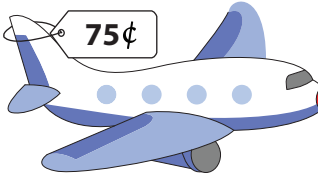
1)

	<p>_____ quarters</p> <p>_____ dimes</p> <p>_____ nickels</p>
---	---

2)

	<p>_____ quarters</p> <p>_____ dimes</p> <p>_____ nickels</p>
--	---

3)


	
--	--

_____ quarters

_____ dimes

_____ nickels

5)

	
---	--

_____ quarters

_____ dimes

_____ nickels

PREVIEW

Gain complete access to the largest collection of worksheets in all subjects!

Members, please log in to download this worksheet.

Not a member? Please sign up to gain complete access.

www.mathworksheets4kids.com

7) You pay with \$1 for a pendant that costs 5¢. Write your change in minimum number of coins.

_____ dimes ; _____ nickels ; _____ quarters

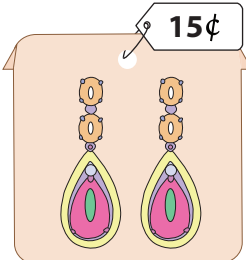
8) You pay with \$1 for a blankbook that costs 60¢. Write your change in minimum number of coins.

_____ quarters ; _____ nickels ; _____ dimes

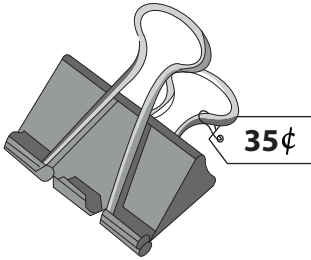
Name : _____

What is Your Change?

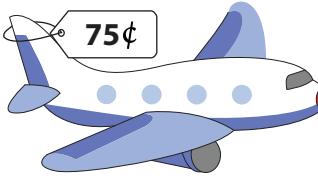
You pay \$1 for each item. Show the change you receive, with minimum number of coins.

1)  **15¢**

 3 quarters
 1 dimes
 0 nickels

2)  **35¢**

 2 quarters
 1 dimes
 1 nickels

3)  **75¢**

PREVIEW


Gain complete access to the largest collection of worksheets in all subjects!

Members, please log in to download this worksheet.

Not a member? Please sign up to gain complete access.

www.mathworksheets4kids.com

 3 quarters
 0 dimes
 1 nickels

5)  **90¢**

 3 quarters
 1 dimes
 1 nickels

7) You pay with \$1 for a pendant that costs 5¢. Write your change in minimum number of coins.

 9 dimes ; 1 nickels ; 0 quarters

8) You pay with \$1 for a blankbook that costs 60¢. Write your change in minimum number of coins.

 1 quarters ; 3 nickels ; 0 dimes