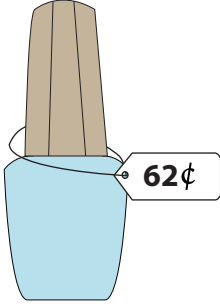
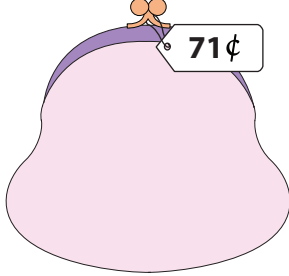
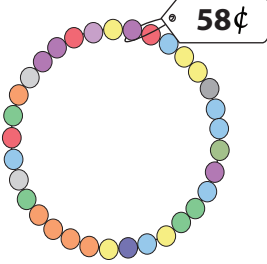


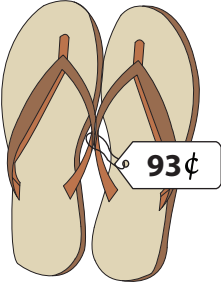
## What is Your Change?

You pay \$1 for each item. Show the change you receive, with minimum number of coins.

1)  \_\_\_\_\_ quarters  
 \_\_\_\_\_ dimes  
 \_\_\_\_\_ nickels  
 \_\_\_\_\_ pennies

2)  \_\_\_\_\_ quarters  
 \_\_\_\_\_ dimes  
 \_\_\_\_\_ nickels  
 \_\_\_\_\_ pennies

3)  \_\_\_\_\_ quarters  
 \_\_\_\_\_ dimes  
 \_\_\_\_\_ nickels  
 \_\_\_\_\_ pennies

5)  \_\_\_\_\_ quarters  
 \_\_\_\_\_ dimes  
 \_\_\_\_\_ nickels  
 \_\_\_\_\_ pennies

# PREVIEW

Gain complete access to the largest collection of worksheets in all subjects!

Members, please log in to download this worksheet.

Not a member? Please sign up to gain complete access.

[www.mathworksheets4kids.com](http://www.mathworksheets4kids.com)

7) You pay with \$1 for an eraser that costs 30¢. Write your change in minimum number of coins.

\_\_\_\_\_ quarters ; \_\_\_\_\_ dimes ; \_\_\_\_\_ nickels

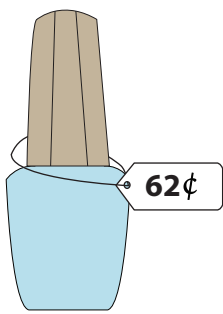
8) You pay with \$1 for a spoon that costs 24¢. Write your change in minimum number of coins.

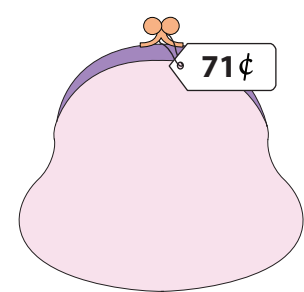
\_\_\_\_\_ dimes ; \_\_\_\_\_ nickels ; \_\_\_\_\_ pennies

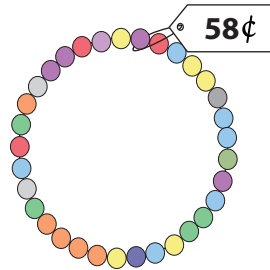
Name : \_\_\_\_\_

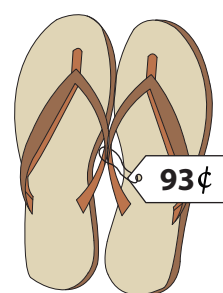
## What is Your Change?

You pay \$1 for each item. Show the change you receive, with minimum number of coins.

1)   quarters  
 dimes  
 nickels  
 pennies

2)   quarters  
 dimes  
 nickels  
 pennies

3)   quarters  
 dimes  
 nickels  
 pennies

5)   quarters  
 dimes  
 nickels  
 pennies

# PREVIEW

Gain complete access to the largest collection of worksheets in all subjects!

Members, please log in to download this worksheet.

Not a member? Please sign up to gain complete access.

[www.mathworksheets4kids.com](http://www.mathworksheets4kids.com)

7) You pay with \$1 for an eraser that costs 30¢. Write your change in minimum number of coins.

quarters ;  dimes ;  nickels

8) You pay with \$1 for a spoon that costs 24¢. Write your change in minimum number of coins.

dimes ;  nickels ;  pennies