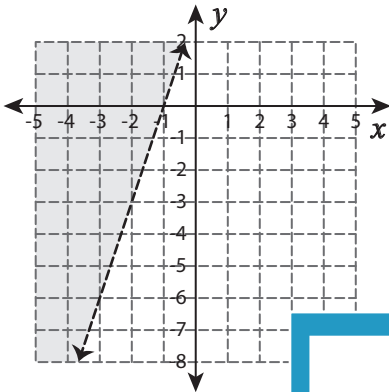


# Linear Inequalities

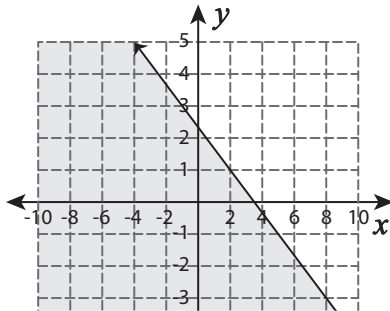
Write the linear inequality that represents the graph.

1)

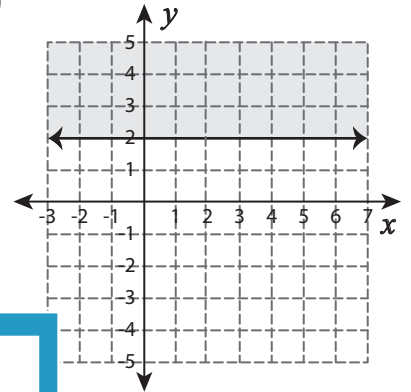


\_\_\_\_\_

2)

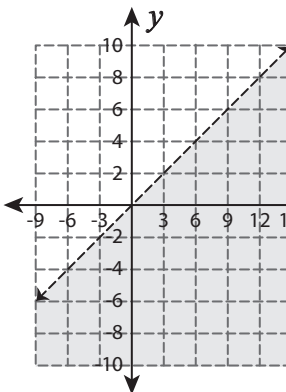


3)



\_\_\_\_\_

4)



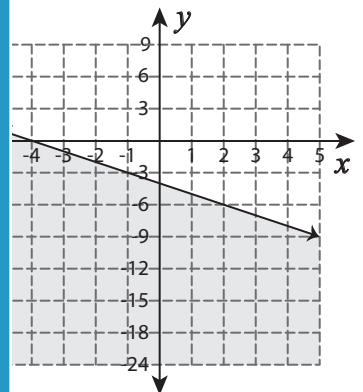
\_\_\_\_\_

Gain complete access to the largest collection of worksheets in all subjects!

Members, please log in to download this worksheet.

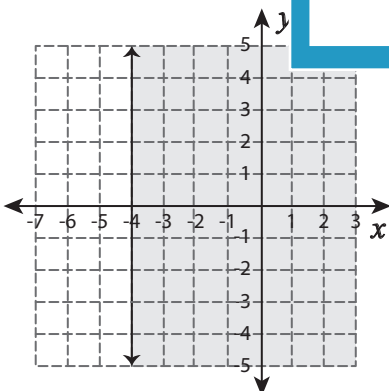
Not a member? Please sign up to gain complete access.

[www.mathworksheets4kids.com](http://www.mathworksheets4kids.com)

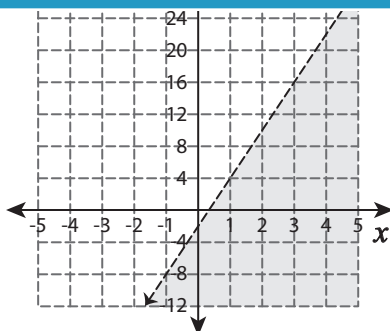


\_\_\_\_\_

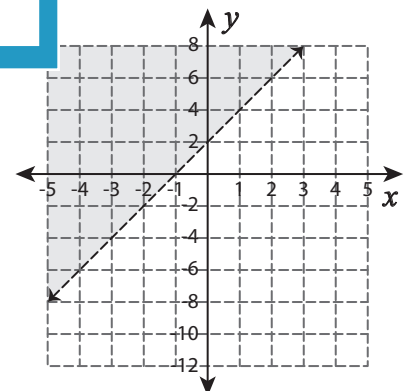
7)



\_\_\_\_\_



\_\_\_\_\_

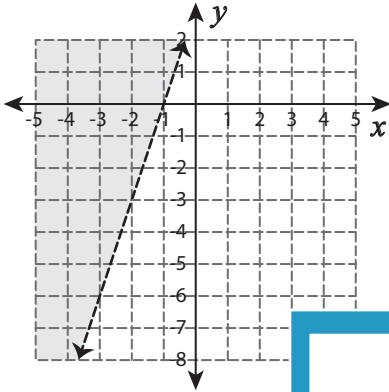


\_\_\_\_\_

# Linear Inequalities

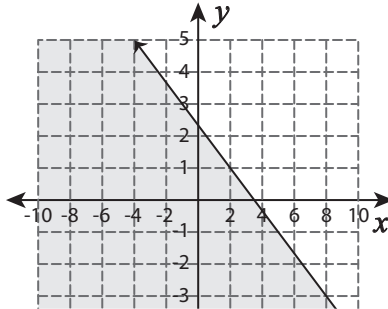
Write the linear inequality that represents the graph.

1)



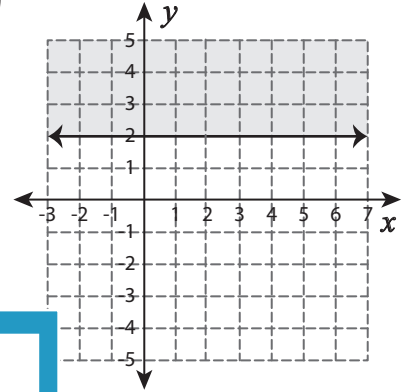
$$y > 3x + 3$$

2)

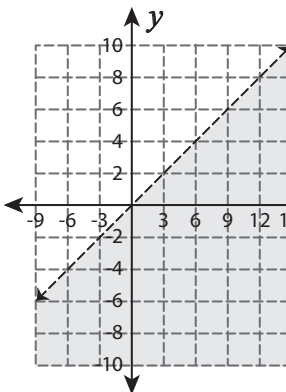


$$y \geq 2$$

3)



4)



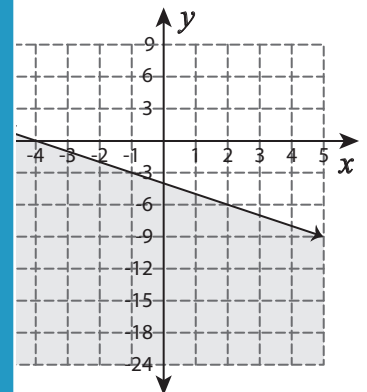
$$y < \frac{2}{3}x$$

Gain complete access to the largest collection of worksheets in all subjects!

Members, please log in to download this worksheet.

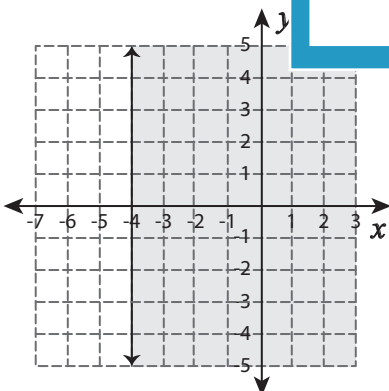
Not a member? Please sign up to gain complete access.

[www.mathworksheets4kids.com](http://www.mathworksheets4kids.com)

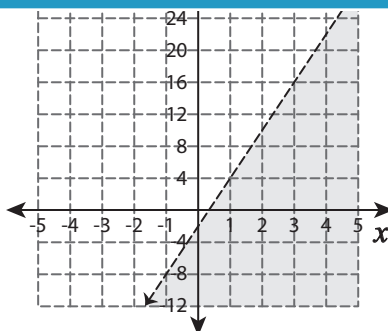


$$y \leq -x - 4$$

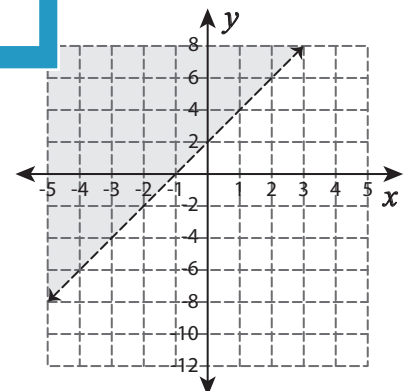
7)



$$x \geq -4$$



$$y < 6x - 2$$



$$y > 2x + 2$$