

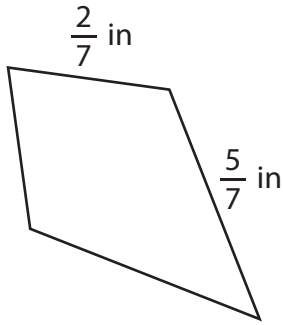
Name : _____

Perimeter of a Kite

Sheet 4

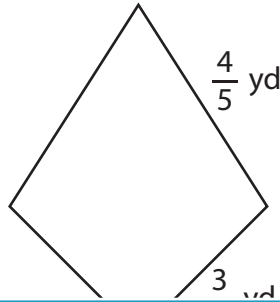
Find the perimeter of each kite.

1)

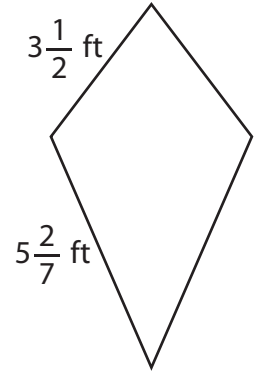


Perimeter =

2)

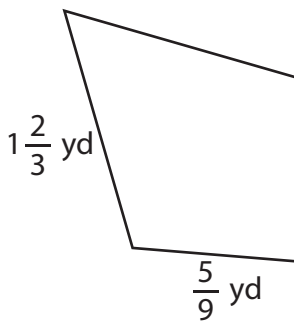


3)



Perimeter =

4)



Perimeter =

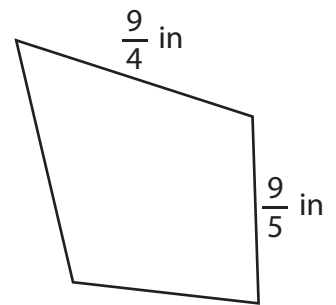
PREVIEW

Gain complete access to the largest collection of worksheets in all subjects!

Members, please log in to download this worksheet.

Not a member? Please sign up to gain complete access.

www.mathworksheets4kids.com



Perimeter =

7) The side lengths of a kite

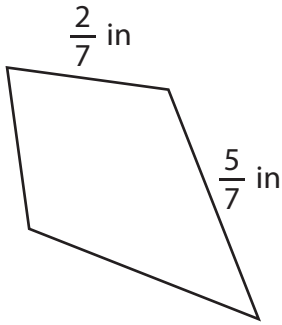
kite?

8) If the lengths of the sides of a kite are $\frac{8}{3}$ inches and $\frac{4}{9}$ inch, find its perimeter.

Perimeter of a Kite

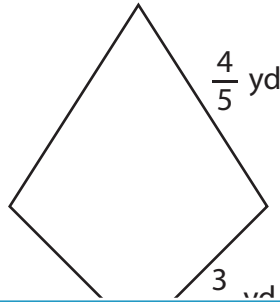
Find the perimeter of each kite.

1)

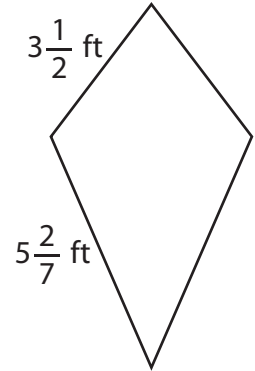


Perimeter = **2 in**

2)

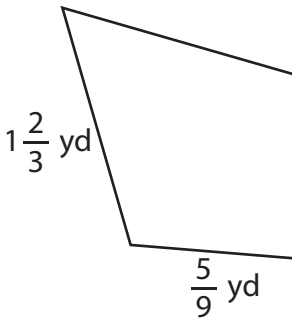


3)

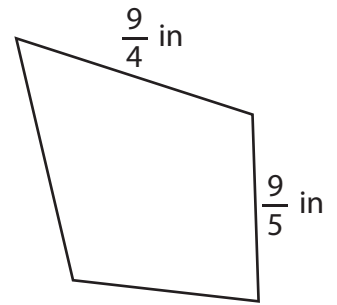


Perimeter = **$\frac{123}{7}$ or $17\frac{4}{7}$ ft**

4)



Perimeter = **$\frac{40}{9}$ or $4\frac{4}{9}$ yd**



Perimeter = **$\frac{81}{10}$ or $8\frac{1}{10}$ in**

7) The side lengths of a kite

www.mathworksheets4kids.com

kite?

$\frac{80}{7}$ or $11\frac{3}{7}$ feet

8) If the lengths of the sides of a kite are $\frac{8}{3}$ inches and $\frac{4}{9}$ inch, find its perimeter.

$\frac{56}{9}$ or $6\frac{2}{9}$ inches

PREVIEW

Gain complete access to the largest collection of worksheets in all subjects!

Members, please log in to download this worksheet.

Not a member? Please sign up to gain complete access.

www.mathworksheets4kids.com