

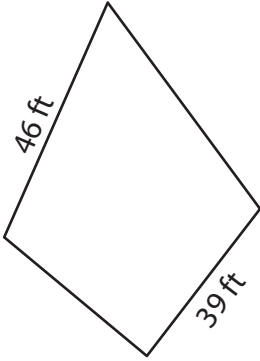
Name : \_\_\_\_\_

## Perimeter of a Kite

L2S1

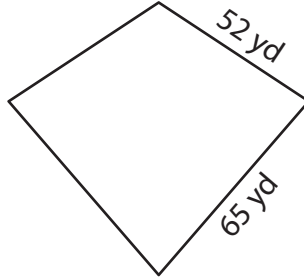
Find the perimeter of each kite.

1)



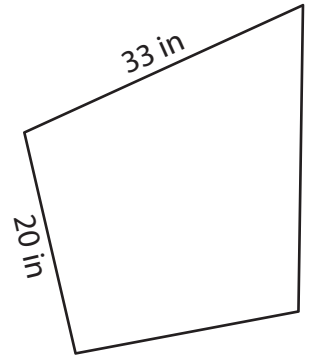
Perimeter = \_\_\_\_\_

2)



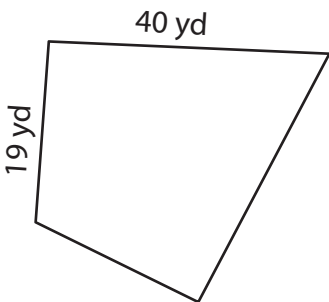
Perimeter = \_\_\_\_\_

3)



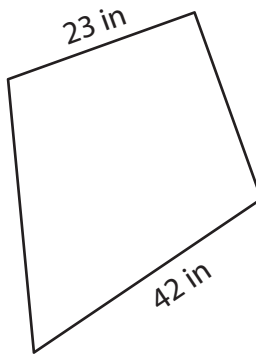
Perimeter = \_\_\_\_\_

4)



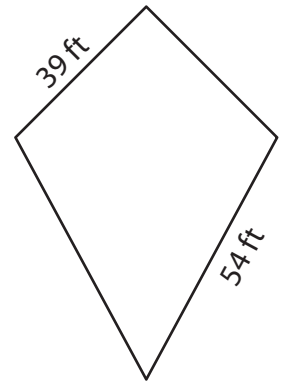
Perimeter = \_\_\_\_\_

5)



Perimeter = \_\_\_\_\_

6)



Perimeter = \_\_\_\_\_

7) What is the perimeter of the kite, if the sides of the kite measure 34 feet and 12 feet?

\_\_\_\_\_

8) If the non-congruent sides of a kite measure 51 yards and 29 yards, find the perimeter of the kite.

\_\_\_\_\_

Name : \_\_\_\_\_

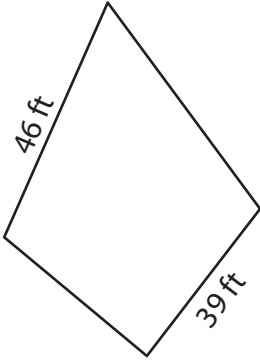
## Answer key

### Perimeter of a Kite

L2S1

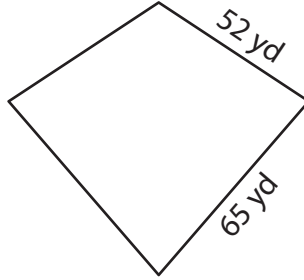
Find the perimeter of each kite.

1)



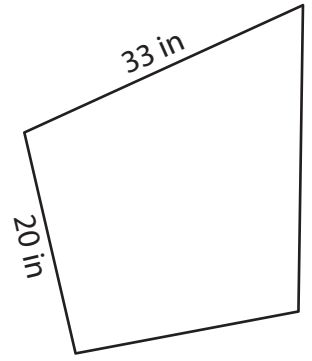
Perimeter = 170 ft

2)



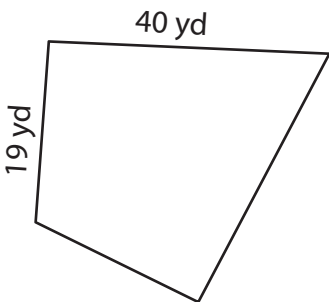
Perimeter = 234 yd

3)



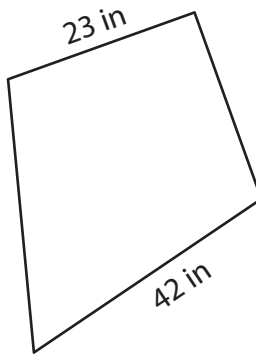
Perimeter = 106 in

4)



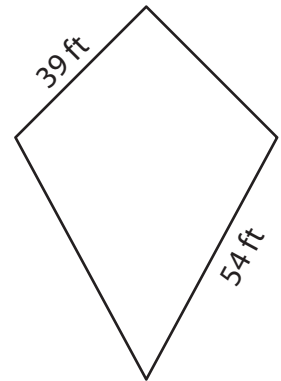
Perimeter = 118 yd

5)



Perimeter = 130 in

6)



Perimeter = 186 ft

7) What is the perimeter of the kite, if the sides of the kite measure 34 feet and 12 feet?

92 feet

8) If the non-congruent sides of a kite measure 51 yards and 29 yards, find the perimeter of the kite.

160 yards