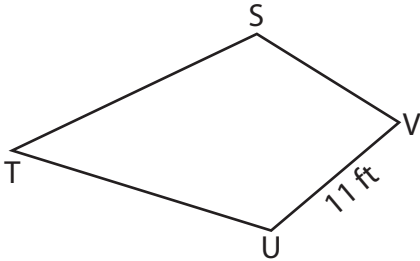


Name : _____

Perimeter of a Kite

Find the indicated side length of each kite from the given perimeter.

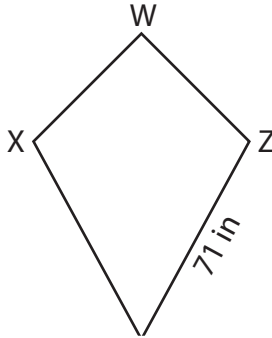
1)



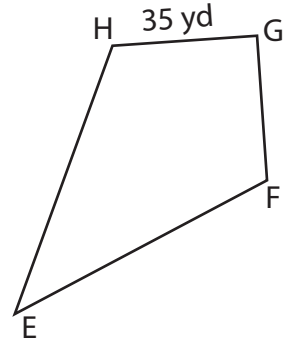
Perimeter = 74 ft

ST = _____

2)



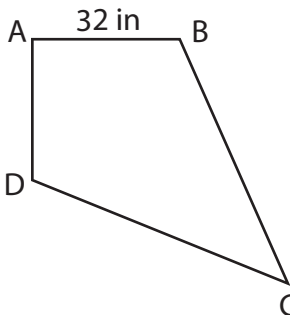
3)



Perimeter = 168 yd

EF = _____

4)



Perimeter = 172 in

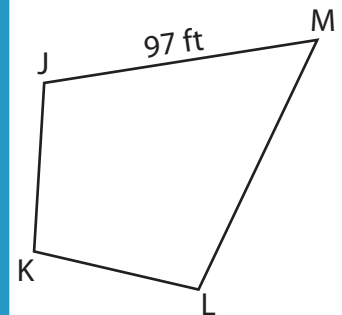
CD = _____

PREVIEW
Gain complete access to the largest collection of worksheets in all subjects!

Members, please log in to download this worksheet.

Not a member? Please sign up to gain complete access.

www.mathworksheets4kids.com



Perimeter = 358 ft

KL = _____

7) The length of \overline{DE} in the l

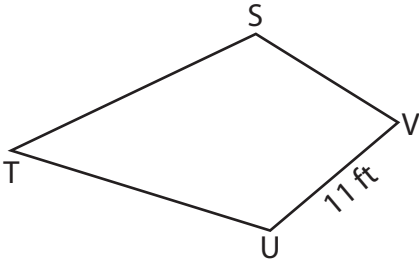
ermine BC.

8) The perimeter of kite UVWX is 96 feet. What is the length of \overline{XW} , if $UV = 13$ feet?

Perimeter of a Kite

Find the indicated side length of each kite from the given perimeter.

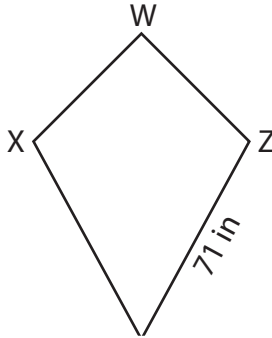
1)



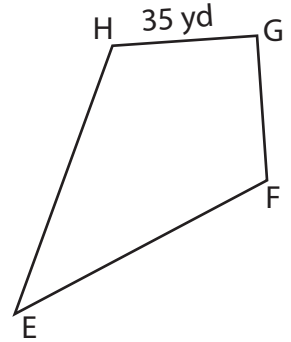
Perimeter = 74 ft

ST = 26 ft

2)



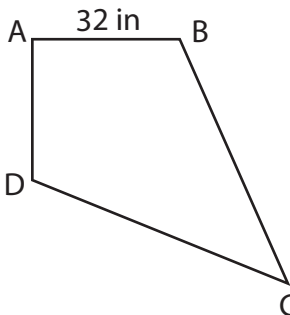
3)



Perimeter = 168 yd

EF = 49 yd

4)



Perimeter = 172 in

CD = 54 in

7) The length of \overline{DE} in the

50 yards

8) The perimeter of kite UVWX is 96 feet. What is the length of \overline{XW} , if $UV = 13$ feet?

35 feet

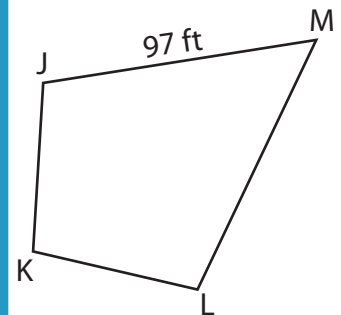
PREVIEW

Gain complete access to the largest collection of worksheets in all subjects!

Members, please log in to download this worksheet.

Not a member? Please sign up to gain complete access.

www.mathworksheets4kids.com



Perimeter = 358 ft

KL = 82 ft

etermine BC.