

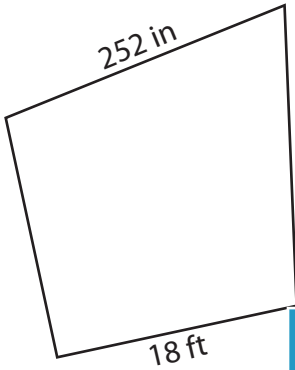
Name : _____

Perimeter of a Kite

Sheet 4

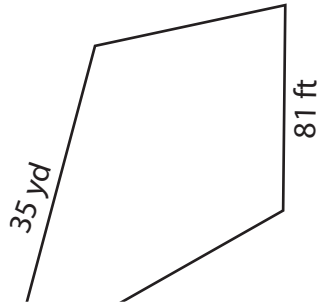
Find the perimeter of each kite.

1)

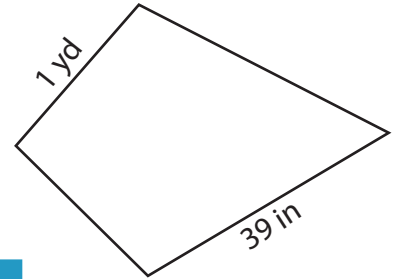


Perimeter = _____

2)

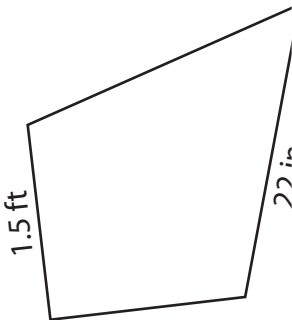


3)



Perimeter = _____ in

4)



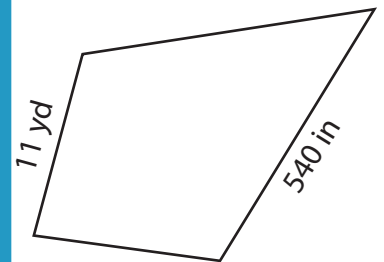
Perimeter = _____

Gain complete access to the largest collection of worksheets in all subjects!

Members, please log in to download this worksheet.

Not a member? Please sign up to gain complete access.

www.mathworksheets4kids.com



Perimeter = _____ yd

7) One of the sides of a kite measures 2 feet, determine its perimeter.

Perimeter = _____

_____ inches

8) Determine the perimeter of the kite, if the sides of the kite measure 324 inches and 13 yards.

_____ yards

Name : _____

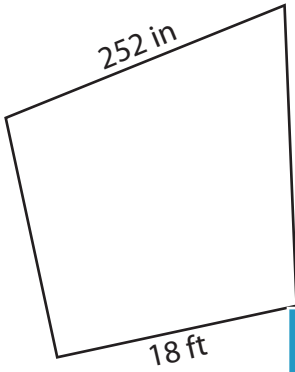
Answer key

Sheet 4

Perimeter of a Kite

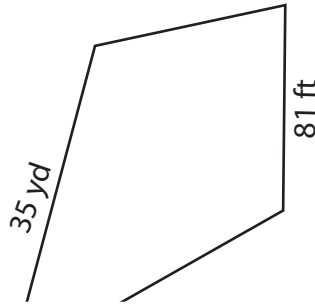
Find the perimeter of each kite.

1)

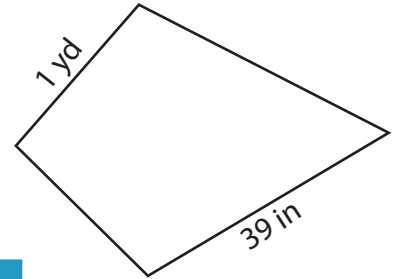


Perimeter = 78

2)

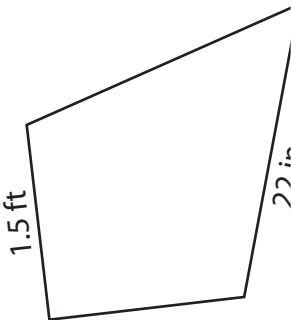


3)



Perimeter = 150 in

4)



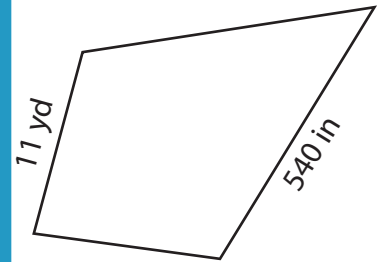
Perimeter = 80

Gain complete access to the largest collection of worksheets in all subjects!

Members, please log in to download this worksheet.

Not a member? Please sign up to gain complete access.

www.mathworksheets4kids.com



Perimeter = 52 yd

7) One of the sides of a kite measures 2 feet, determine its perimeter.

Perimeter = 100 inches

8) Determine the perimeter of the kite, if the sides of the kite measure 324 inches and 13 yards.

Perimeter = 44 yards