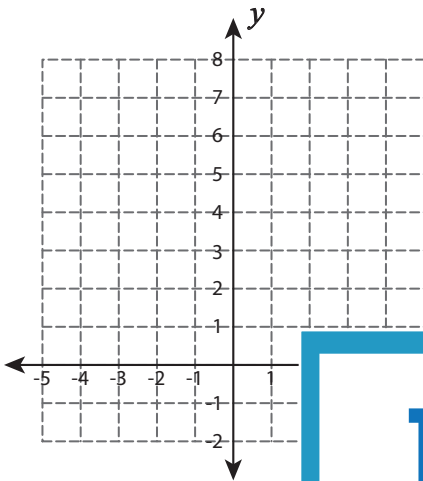


# Graphing a Line

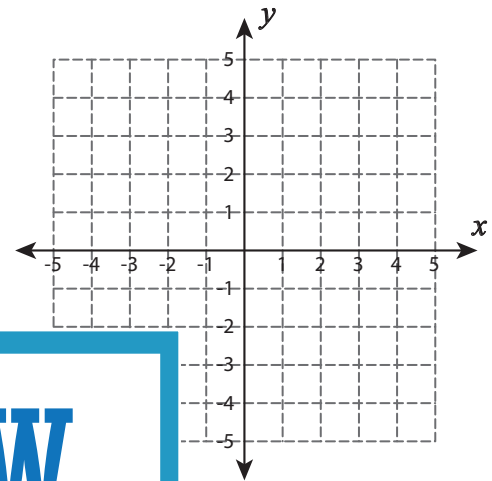
Sheet 2

Graph the equation of each line.

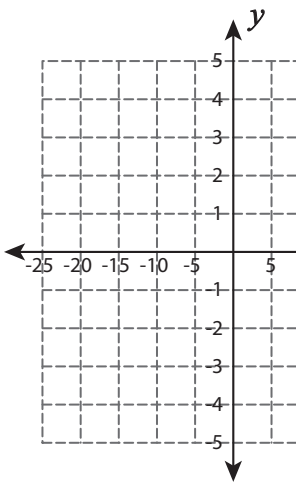
1)  $y = 7$



2)  $x = -4$



3)  $x = 15$



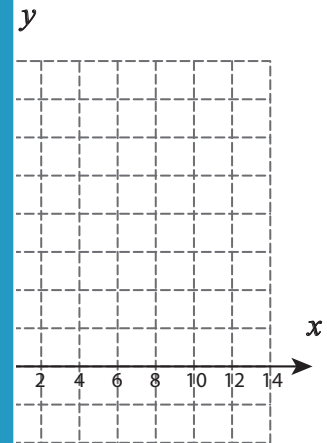
**PREVIEW**

Gain complete access to the largest  
collection of worksheets in all subjects!

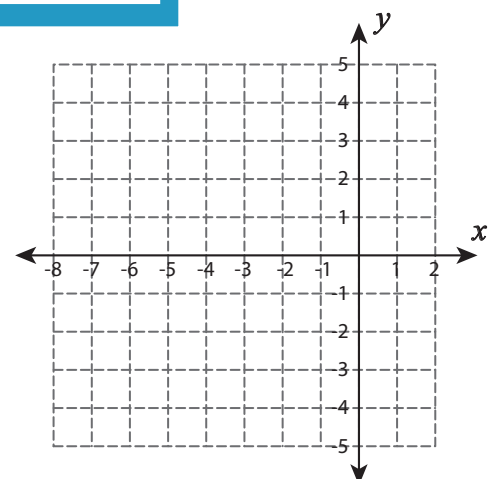
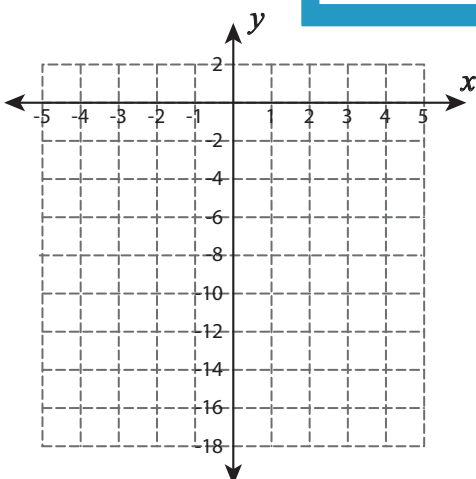
Members, please  
log in to  
download this  
worksheet.

Not a member?  
Please sign up to  
gain complete  
access.

[www.mathworksheets4kids.com](http://www.mathworksheets4kids.com)



5)  $y = -14$

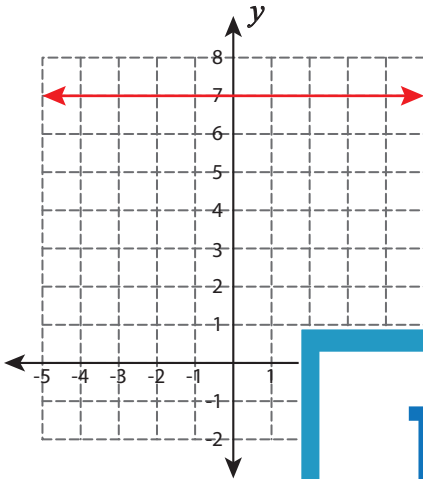


## Graphing a Line

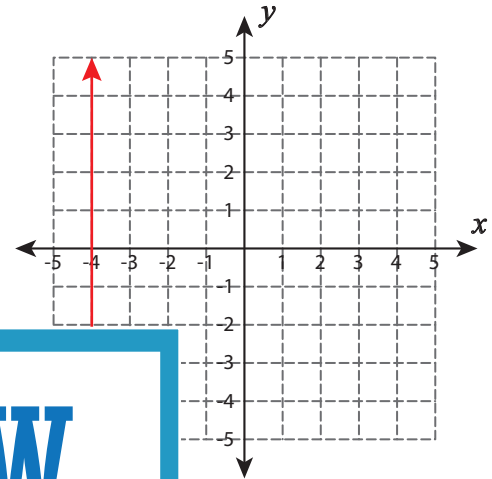
Sheet 2

Graph the equation of each line.

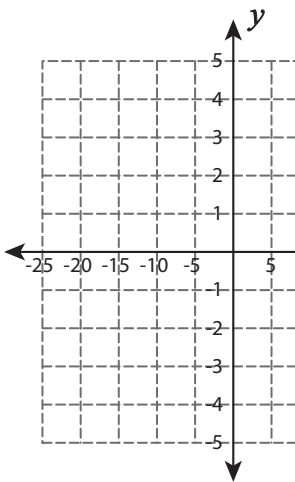
1)  $y = 7$



2)  $x = -4$



3)  $x = 15$



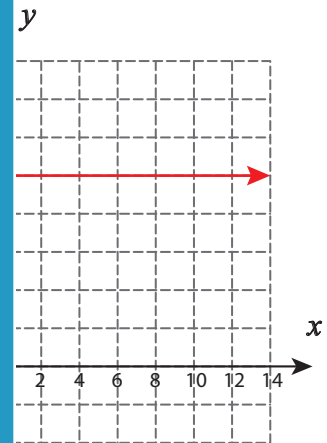
**PREVIEW**

Gain complete access to the largest  
collection of worksheets in all subjects!

Members, please  
log in to  
download this  
worksheet.

Not a member?  
Please sign up to  
gain complete  
access.

[www.mathworksheets4kids.com](http://www.mathworksheets4kids.com)



5)  $y = -14$

