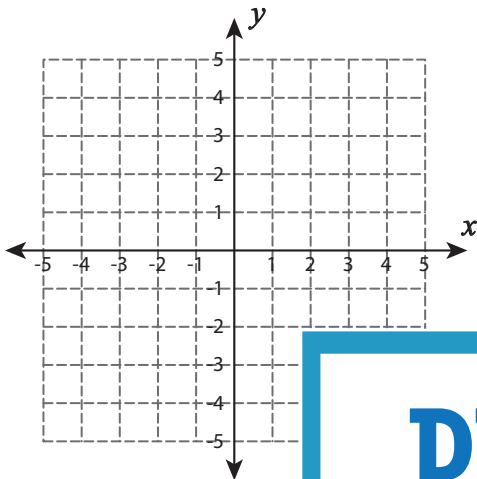


Graphing a Line

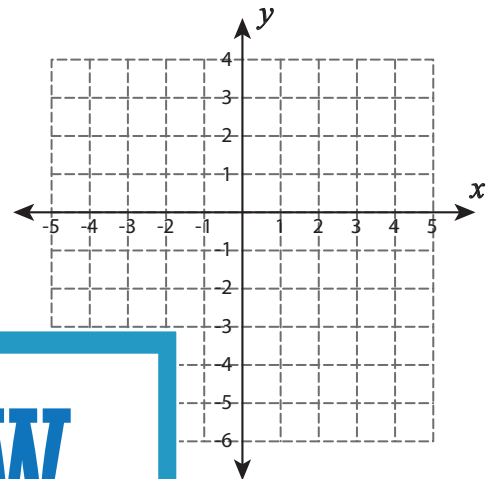
Sheet 3

Graph the equation of each line.

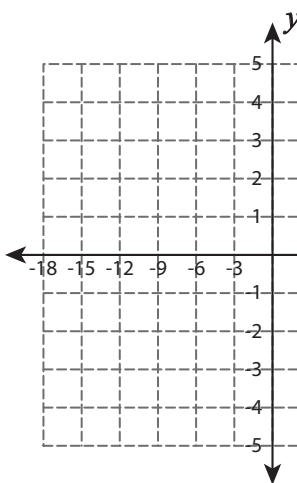
1) $x = 1$



2) $y = -5$



3) $x = -9$

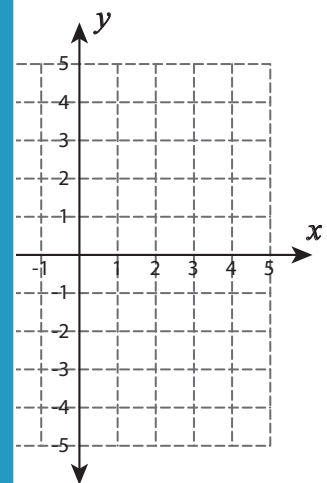


Gain complete access to the largest
collection of worksheets in all subjects!

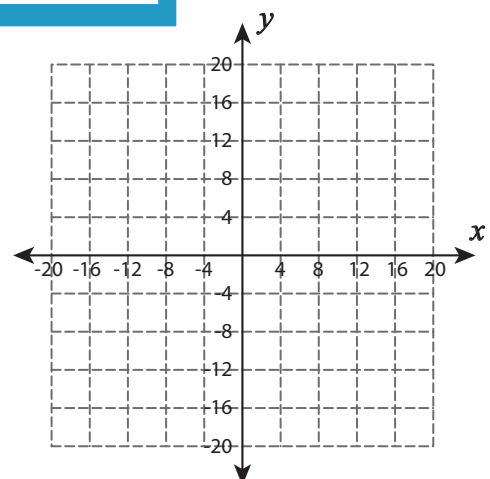
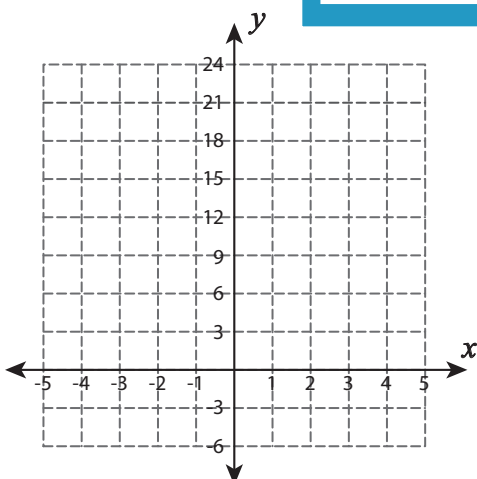
Members, please
log in to
download this
worksheet.

Not a member?
Please sign up to
gain complete
access.

www.mathworksheets4kids.com



5) $y = 21$

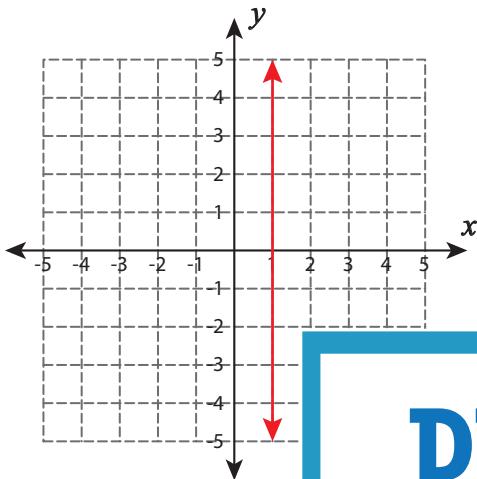


Graphing a Line

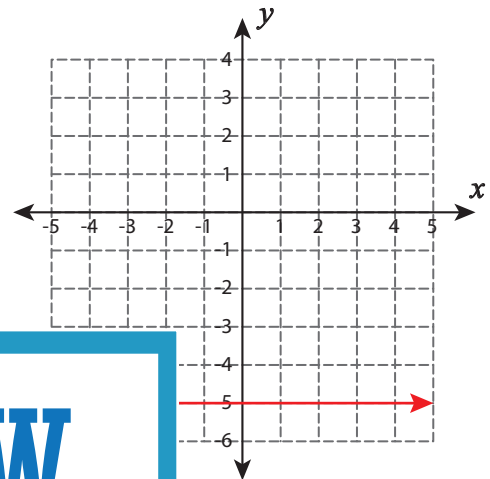
Sheet 3

Graph the equation of each line.

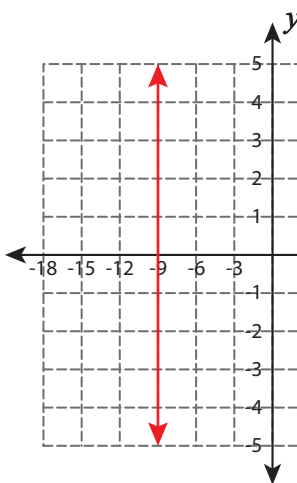
1) $x = 1$



2) $y = -5$



3) $x = -9$

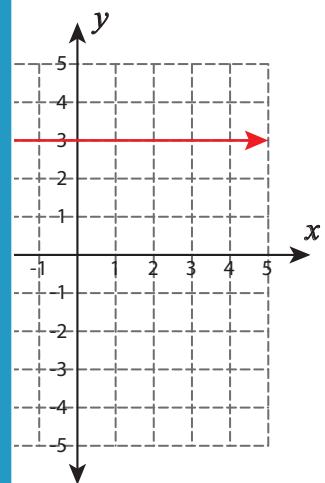


Gain complete access to the largest
collection of worksheets in all subjects!

Members, please
log in to
download this
worksheet.

Not a member?
Please sign up to
gain complete
access.

www.mathworksheets4kids.com



5) $y = 21$

