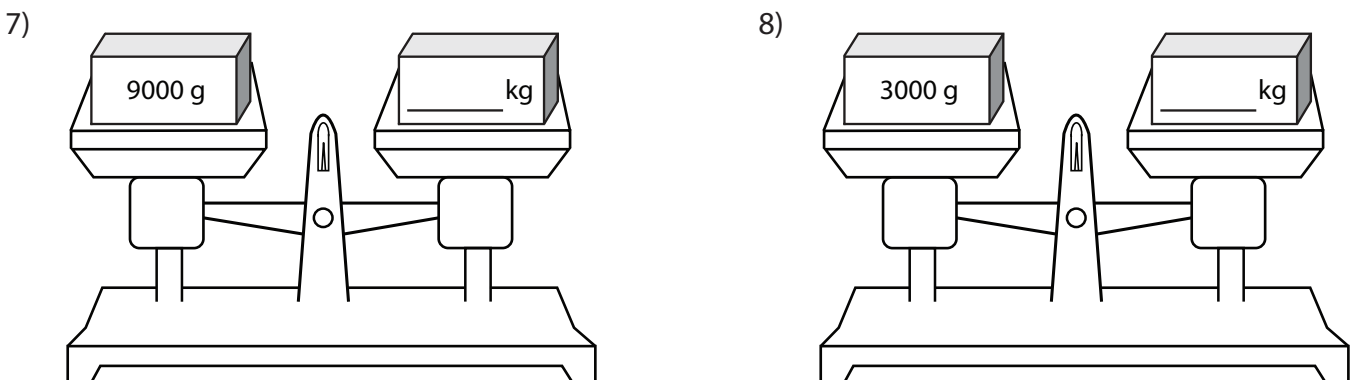
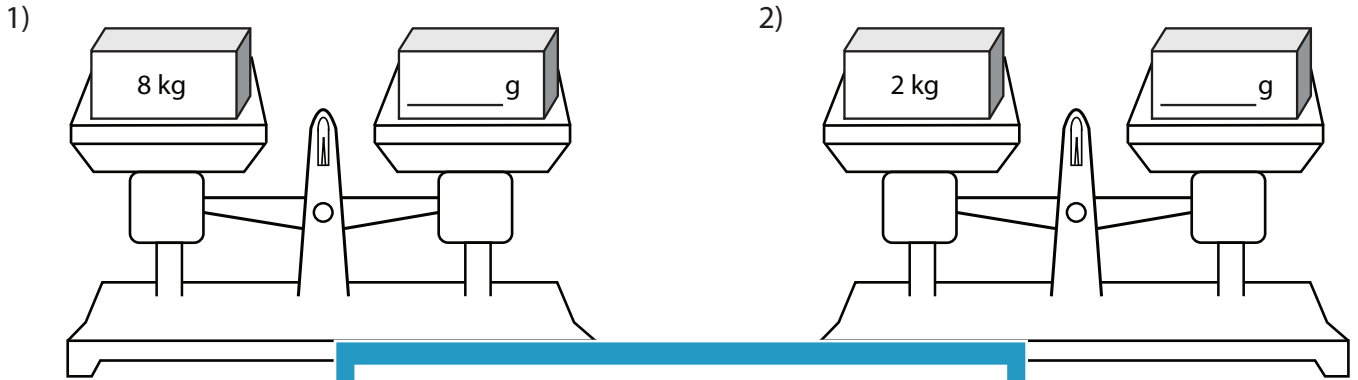


# Metric Unit Conversion

Convert between kilograms (kg) and grams (g).



**PREVIEW**

Gain complete access to the largest collection of worksheets in all subjects!

Members, please log in to download this worksheet.

Not a member? Please sign up to gain complete access.

[www.mathworksheets4kids.com](http://www.mathworksheets4kids.com)

**Metric Unit Conversion**

Convert between kilograms (kg) and grams (g).

