

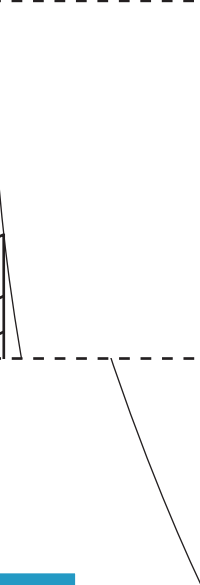
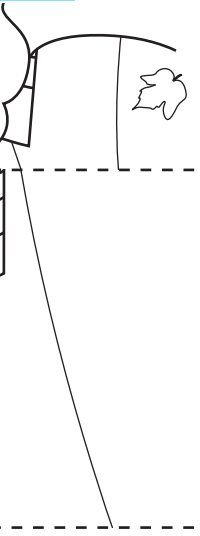
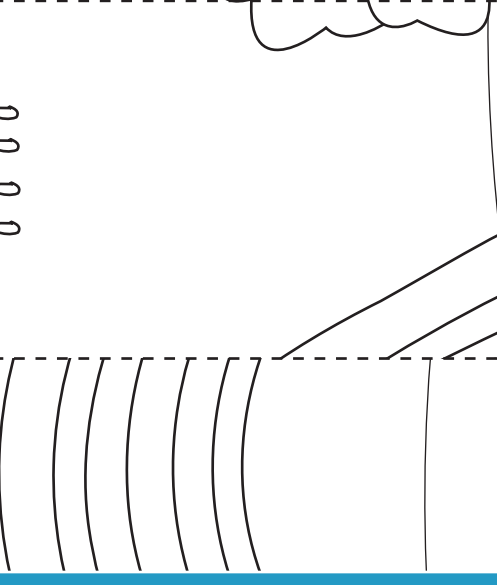
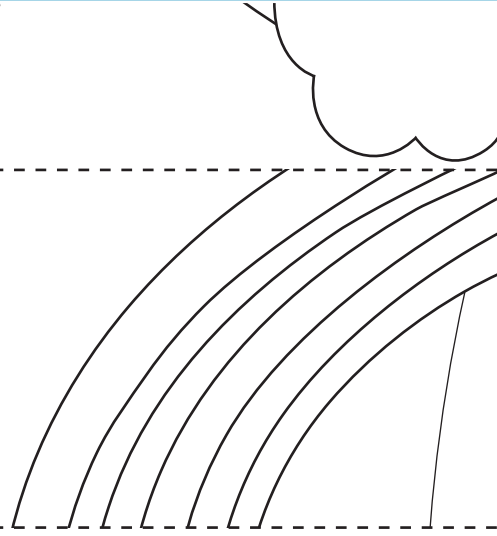
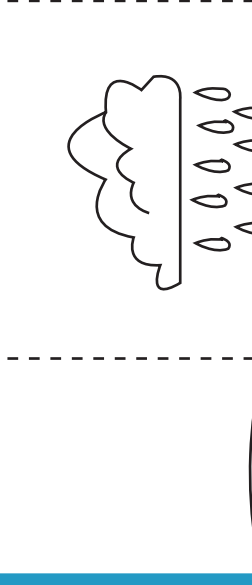
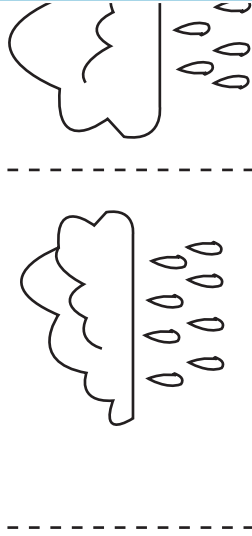
Name : _____

Picture Puzzle

S3: 1st to 5th

Cut out the picture strips. Paste

and so on to unravel the picture.



3rd

1st

5th

2nd

4th



PREVIEW

Gain complete access to the largest collection of worksheets in all subjects!

Members, please log in to download this worksheet.

Not a member? Please sign up to gain complete access.

www.mathworksheets4kids.com

Name : _____

Picture Puzzle

S3: 1st to 5th

Paste the cut strips on the space

PREVIEW

Gain complete access to the largest collection of worksheets in all subjects!

Members, please log in to download this worksheet.

Not a member? Please sign up to gain complete access.

www.mathworksheets4kids.com

Name : _____

Answer Key

Picture Puzzle

S3: 1st to 5th

PREVIEW

Gain complete access to the largest collection of worksheets in all subjects!

Members, please log in to download this worksheet.

Not a member? Please sign up to gain complete access.

www.mathworksheets4kids.com

1st 2nd 3rd 4th 5th