

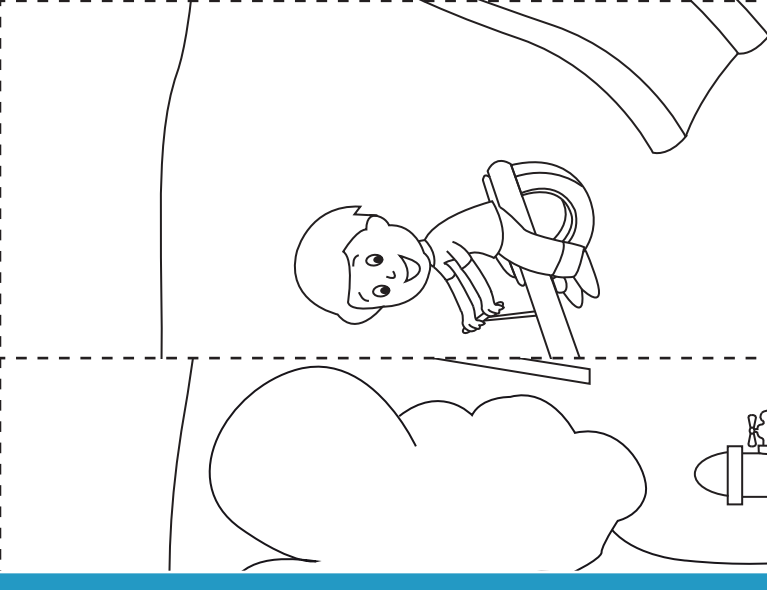
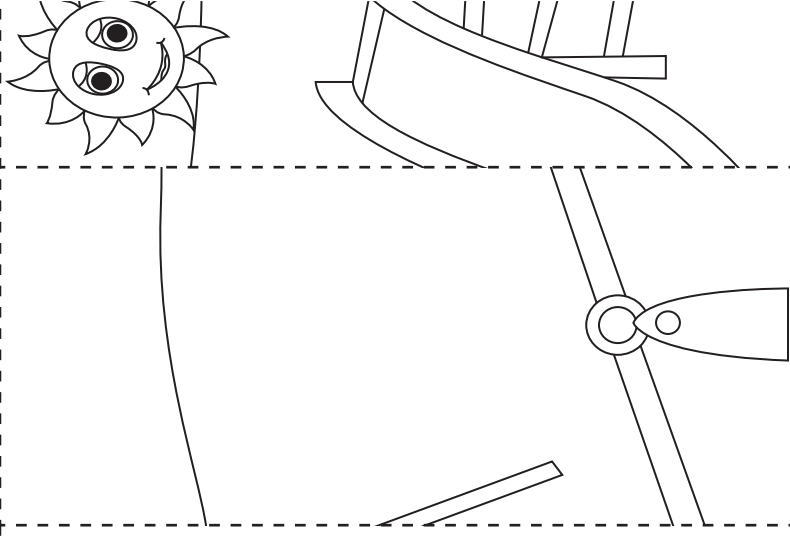
Name : \_\_\_\_\_

# Picture Puzzle

S3: first to fifth

Cut out the picture strips. Paste

and so on to unravel the picture.



**PREVIEW**

Gain complete access to the largest collection of worksheets in all subjects!

Members, please log in to download this worksheet.

Not a member? Please sign up to gain complete access.

[www.mathworksheets4kids.com](http://www.mathworksheets4kids.com)



third

fifth

second

first

fourth



Name : \_\_\_\_\_

# Picture Puzzle

S3: first to fifth

Paste the cut strips on the space

**PREVIEW**

Gain complete access to the largest collection of worksheets in all subjects!

Members, please log in to download this worksheet.

Not a member? Please sign up to gain complete access.


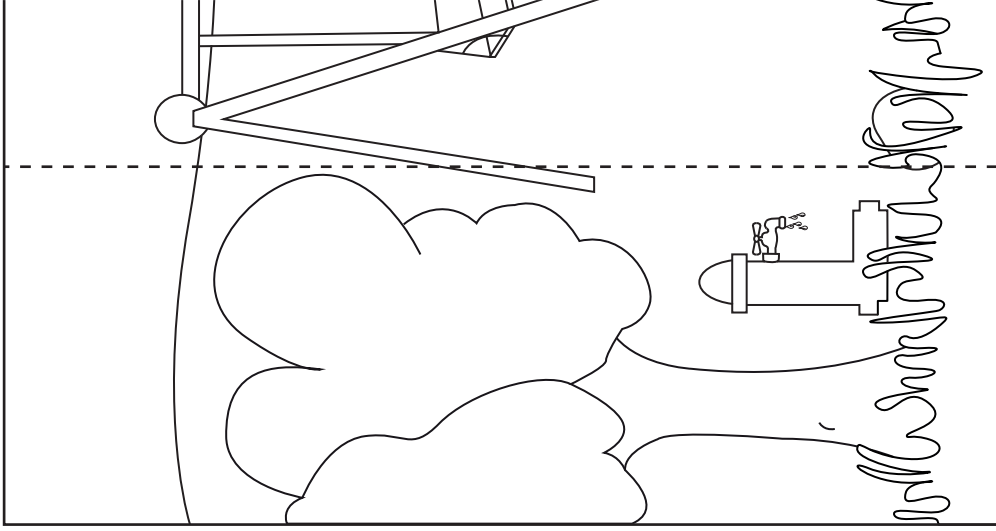
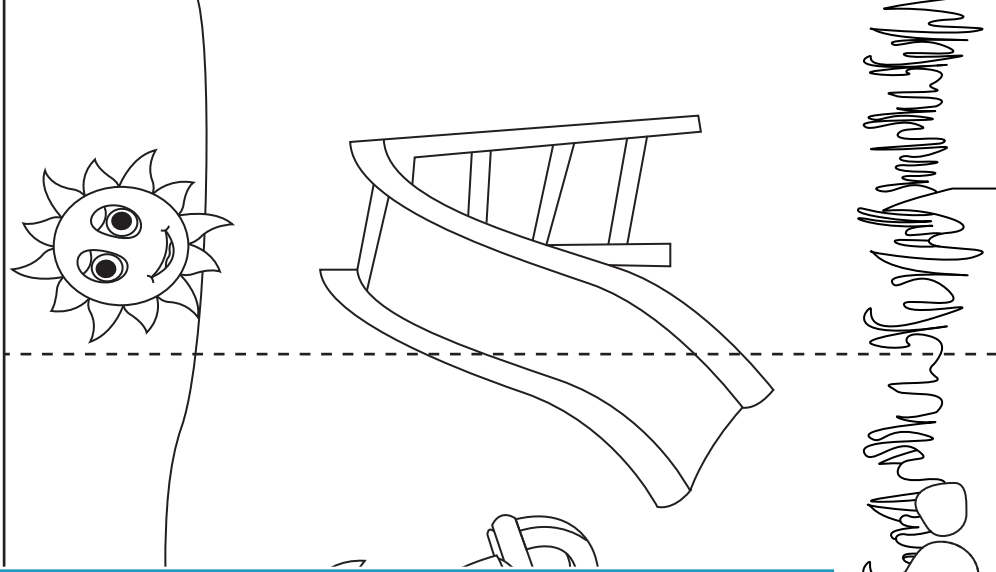
[www.mathworksheets4kids.com](http://www.mathworksheets4kids.com)

Name : \_\_\_\_\_

## Answer Key

### Picture Puzzle

S3: first to fifth

				
first	second	third	fourth	fifth