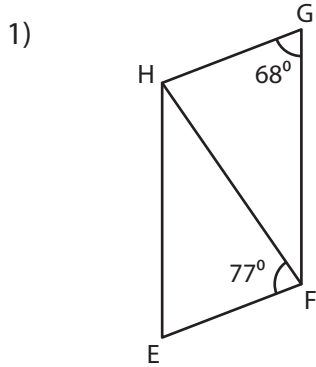
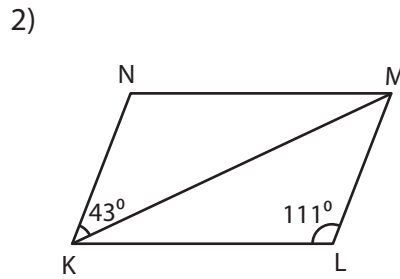


Parallelogram - Angles

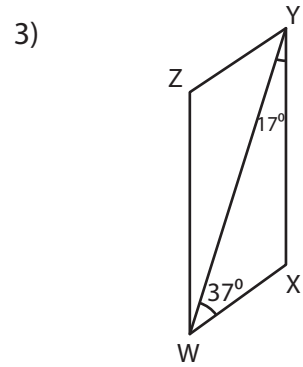
A) Find the measure of the indicated angle in each parallelogram.



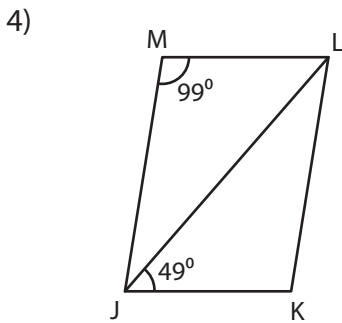
$m\angle HFG =$ _____



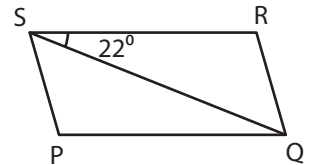
$m\angle KMN =$ _____



$m\angle WZY =$ _____



$m\angle JLK =$ _____



$m\angle SQP =$ _____

PREVIEW

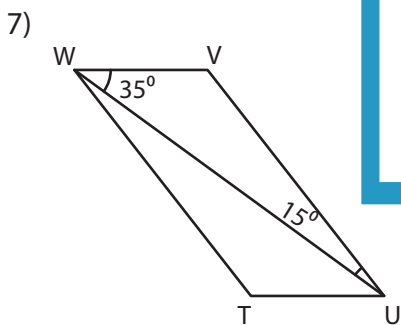
Gain complete access to the largest collection of worksheets in all subjects!

Members, please log in to download this worksheet.

Not a member? Please sign up to gain complete access.

www.mathworksheets4kids.com

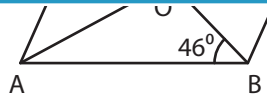
B) Find the measure of the indicated angle in each parallelogram.



$m\angle UTW =$ _____

$m\angle UWT =$ _____

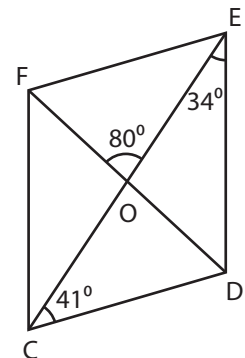
$m\angle TUW =$ _____



$m\angle DCA =$ _____

$m\angle DBC =$ _____

$m\angle DOA =$ _____



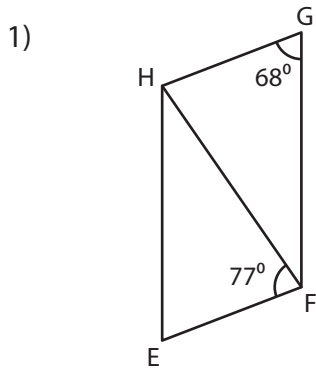
$m\angle DEF =$ _____

$m\angle EFD =$ _____

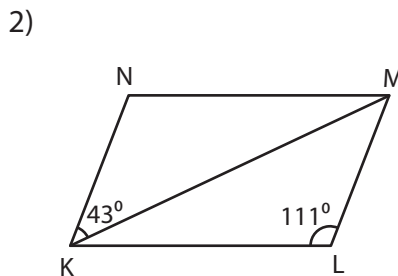
$m\angle EDF =$ _____

Parallelogram - Angles

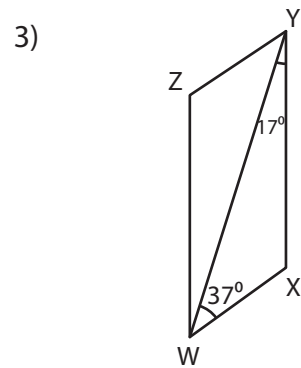
A) Find the measure of the indicated angle in each parallelogram.



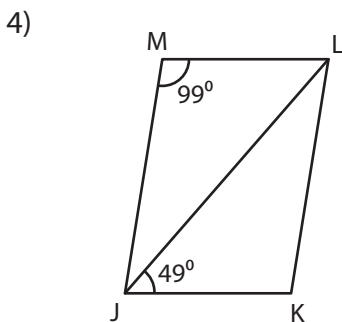
$m\angle HFG = \underline{35^\circ}$



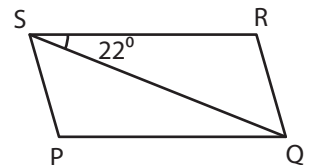
$m\angle KMN = \underline{26^\circ}$



$m\angle WZY = \underline{126^\circ}$



$m\angle JLK = \underline{22^\circ}$



$m\angle SQP = \underline{22^\circ}$

PREVIEW

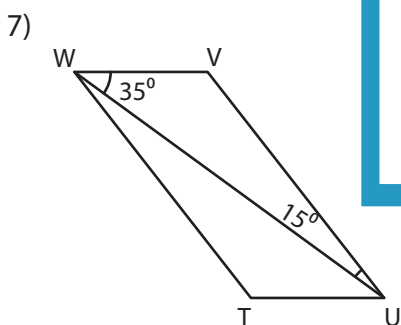
Gain complete access to the largest collection of worksheets in all subjects!

Members, please log in to download this worksheet.

Not a member? Please sign up to gain complete access.

www.mathworksheets4kids.com

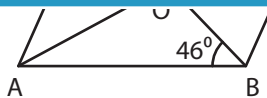
B) Find the measure of the indicated angle.



$m\angle UTW = \underline{130^\circ}$

$m\angle UWT = \underline{15^\circ}$

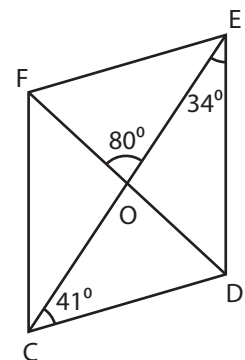
$m\angle TUW = \underline{35^\circ}$



$m\angle DCA = \underline{28^\circ}$

$m\angle DBC = \underline{69^\circ}$

$m\angle DOA = \underline{74^\circ}$



$m\angle DEF = \underline{75^\circ}$

$m\angle EFD = \underline{59^\circ}$

$m\angle EDF = \underline{46^\circ}$