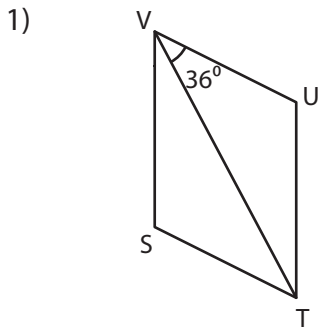


Name : _____

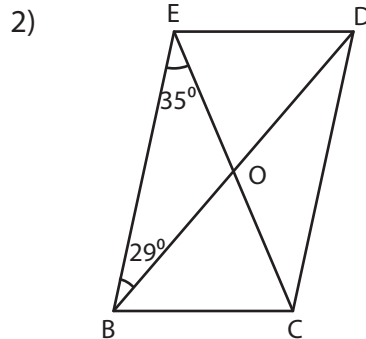
Parallelogram - Angles

Sheet 3

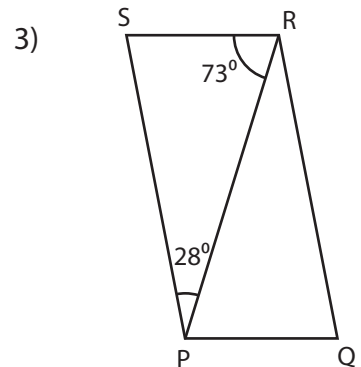
A) Find the measure of the indicated angle in each parallelogram.



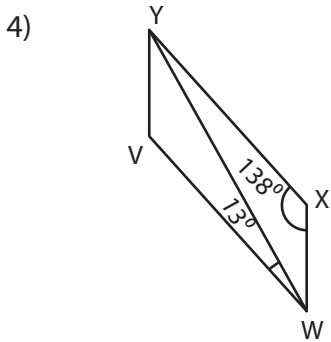
$m\angle VTS =$ _____



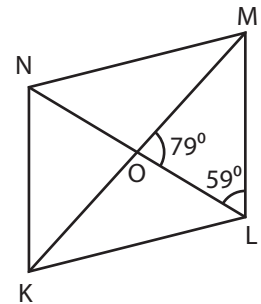
$m\angle DCB =$ _____



$m\angle RQP =$ _____

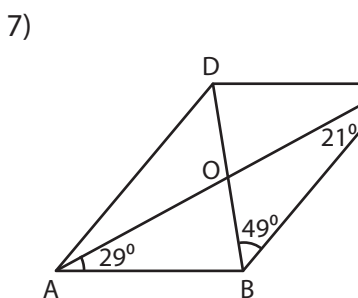


$m\angle XWY =$ _____



$m\angle NKM =$ _____

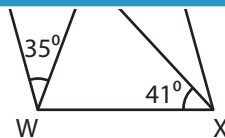
B) Find the measure of the indicated angle.



$m\angle DOA =$ _____

$m\angle BCD =$ _____

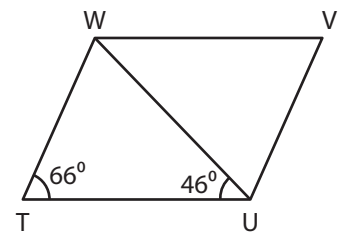
$m\angle BDC =$ _____



$m\angle ZXY =$ _____

$m\angle WYZ =$ _____

$m\angle ZOY =$ _____



$m\angle WUV =$ _____

$m\angle UWV =$ _____

$m\angle WVU =$ _____

PREVIEW

Gain complete access to the largest collection of worksheets in all subjects!

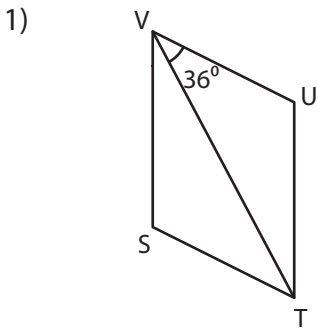
Members, please log in to download this worksheet.

Not a member? Please sign up to gain complete access.

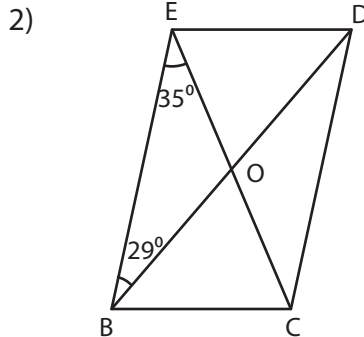
www.mathworksheets4kids.com

Parallelogram - Angles

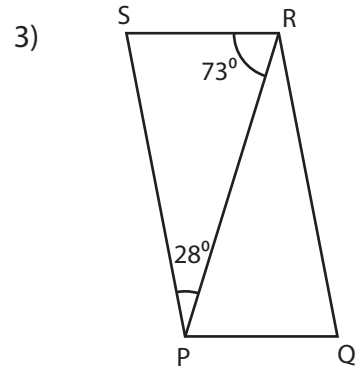
A) Find the measure of the indicated angle in each parallelogram.



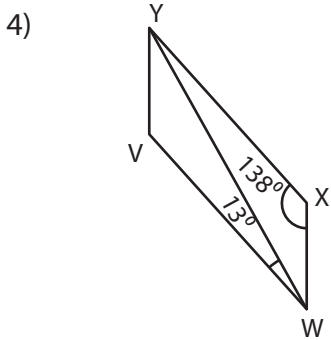
$m\angle VTS = \underline{36^\circ}$



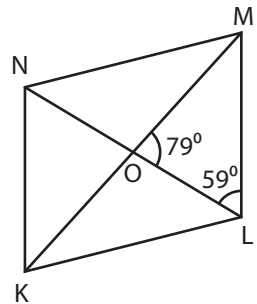
$m\angle DOC = \underline{116^\circ}$



$m\angle RQP = \underline{79^\circ}$

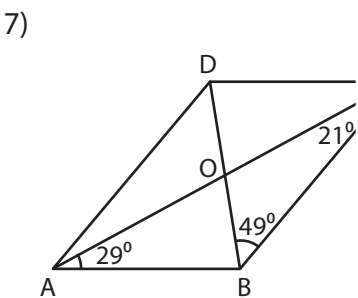


$m\angle XWY = \underline{29^\circ}$



$m\angle NKM = \underline{42^\circ}$

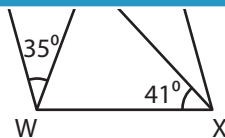
B) Find the measure of the indicated angle.



$m\angle DOA = \underline{110^\circ}$

$m\angle BCD = \underline{50^\circ}$

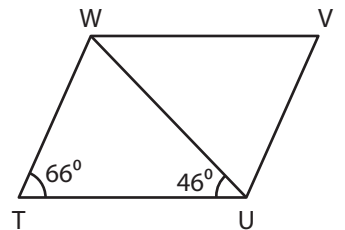
$m\angle BDC = \underline{81^\circ}$



$m\angle ZXY = \underline{28^\circ}$

$m\angle WYZ = \underline{76^\circ}$

$m\angle ZOY = \underline{63^\circ}$



$m\angle WUV = \underline{68^\circ}$

$m\angle UWV = \underline{46^\circ}$

$m\angle WVU = \underline{66^\circ}$

PREVIEW

Gain complete access to the largest collection of worksheets in all subjects!

Members, please log in to download this worksheet.

Not a member? Please sign up to gain complete access.

www.mathworksheets4kids.com