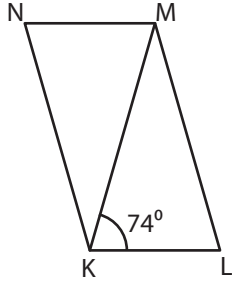


Parallelogram - Angles

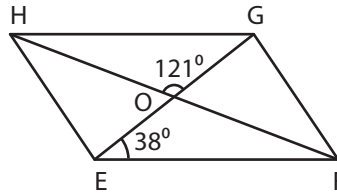
A) Find the measure of the indicated angle in each parallelogram.

1)



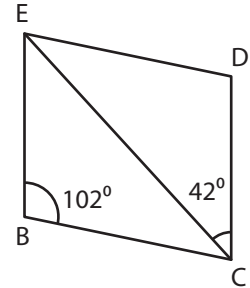
$m\angle KMN =$ _____

2)



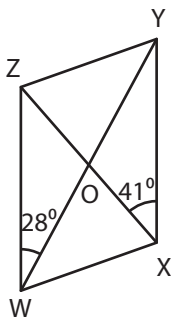
$m\angle GHE =$ _____

3)

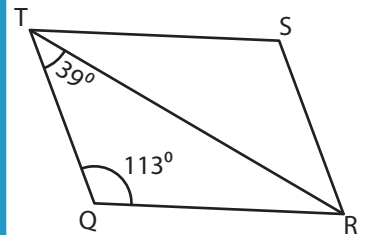


$m\angle BCE =$ _____

4)



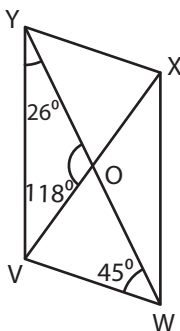
$m\angle ZOW =$ _____



$m\angle QRT =$ _____

B) Find the measure of the indicated angle.

7)



$m\angle VYX =$ _____

$m\angle YXV =$ _____

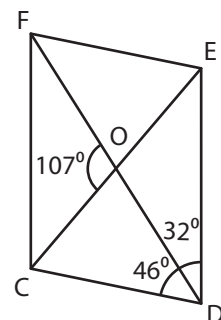
$m\angle WOV =$ _____



$m\angle JLK =$ _____

$m\angle JKL =$ _____

$m\angle LJK =$ _____



$m\angle CED =$ _____

$m\angle ECD =$ _____

$m\angle EOF =$ _____

PREVIEW

Gain complete access to the largest collection of worksheets in all subjects!

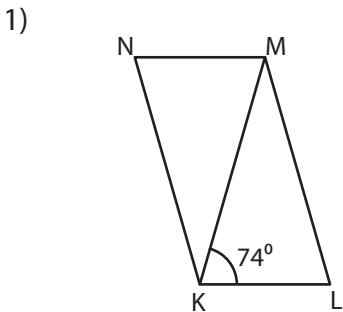
Members, please log in to download this worksheet.

Not a member? Please sign up to gain complete access.

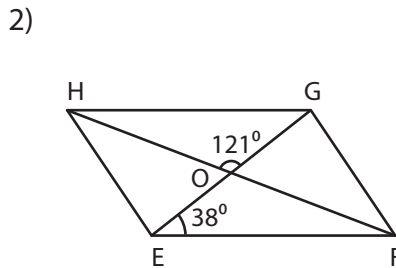
www.mathworksheets4kids.com

Parallelogram - Angles

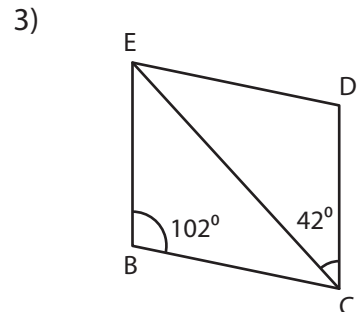
A) Find the measure of the indicated angle in each parallelogram.



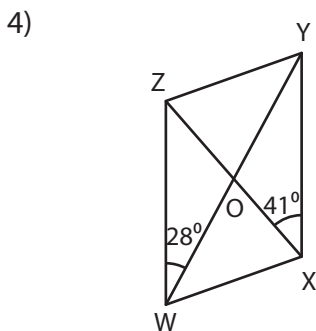
$m\angle KMN = \underline{74^\circ}$



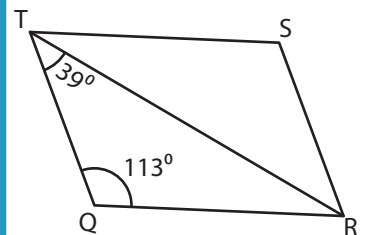
$m\angle GHE = \underline{21^\circ}$



$m\angle BCE = \underline{36^\circ}$

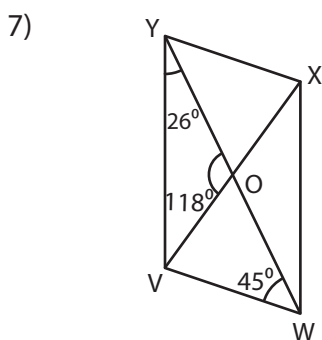


$m\angle ZOW = \underline{111^\circ}$



$m\angle QRT = \underline{28^\circ}$

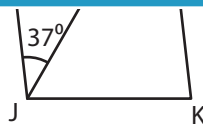
B) Find the measure of the indicated angle.



$m\angle VXW = \underline{36^\circ}$

$m\angle YXV = \underline{73^\circ}$

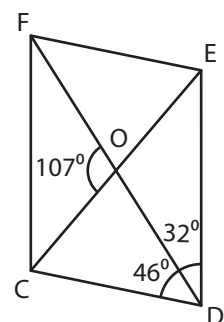
$m\angle WOV = \underline{62^\circ}$



$m\angle JLK = \underline{37^\circ}$

$m\angle JKL = \underline{83^\circ}$

$m\angle LJK = \underline{60^\circ}$



$m\angle CED = \underline{41^\circ}$

$m\angle ECD = \underline{61^\circ}$

$m\angle EOF = \underline{73^\circ}$

PREVIEW

Gain complete access to the largest collection of worksheets in all subjects!

Members, please log in to download this worksheet.

Not a member? Please sign up to gain complete access.

www.mathworksheets4kids.com