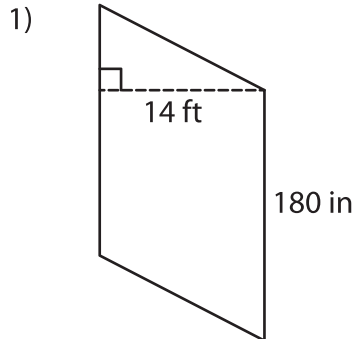


Name : _____

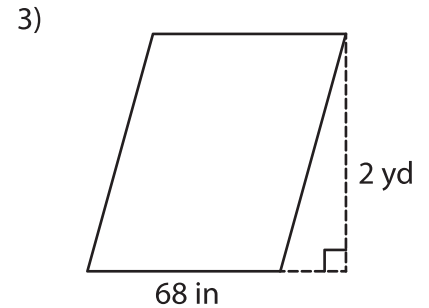
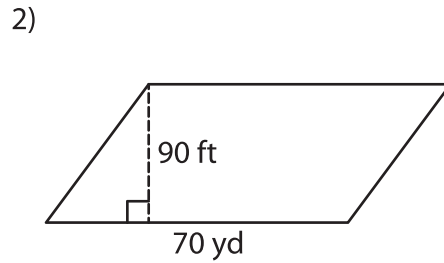
Parallelogram – Area

T2S1

A) Find the area of each parallelogram.



Area = _____



Area = _____ in²

B) Find the area of each parallelogram.

4) base = 72 in , height = 8 ft

Area = _____

6) base = 10 yd , height = 30 in

Area = _____

8) Determine the area of a parallelogram with a base of 65 inches and a height of 2 yards.

9) A parallelogram has a height of 20.6 yards and a base of 90 feet. What is the area of the parallelogram in square yards?

PREVIEW

Gain complete access to the largest collection of worksheets in all subjects!

Members, please log in to download this worksheet.

Not a member? Please sign up to gain complete access.

www.mathworksheets4kids.com