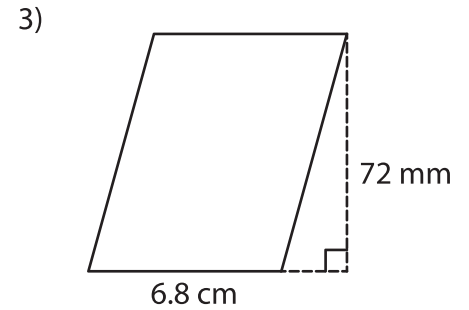
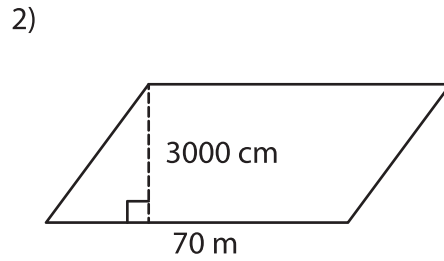
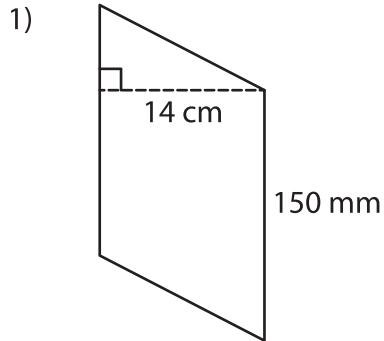


Name : _____

Parallelogram – Area

T2S1

A) Find the area of each parallelogram.



Area = _____

Area = _____ mm²

B) Find the area of each parallelogram.

4) base = 200 cm , height = 18 cm

Area = _____ m²

6) base = 15 mm , height = 1000 mm

Area = _____ mm²

8) Determine the area of a parallelogram whose base and height are 6 cm and 78 mm respectively.

Area = _____ m²

PREVIEW

Gain complete access to the largest collection of worksheets in all subjects!

Members, please log in to download this worksheet.

Not a member? Please sign up to gain complete access.

www.mathworksheets4kids.com

9) A parallelogram has a height of 30.9 m and a base of 2,000 cm. What is the area of the parallelogram in square metres?