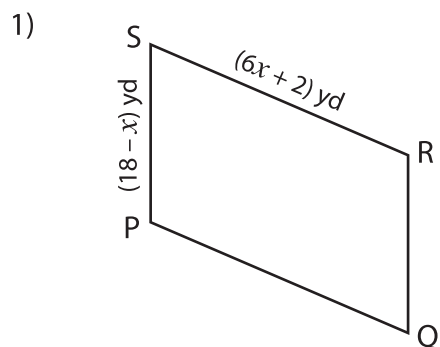


Perimeter of a Parallelogram

Find the indicated side lengths of each parallelogram from the given perimeter.

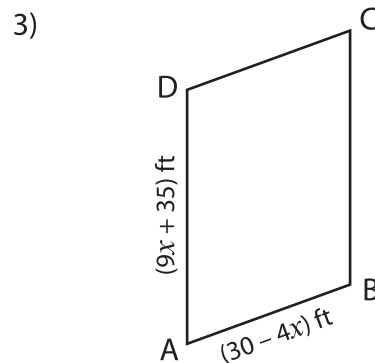
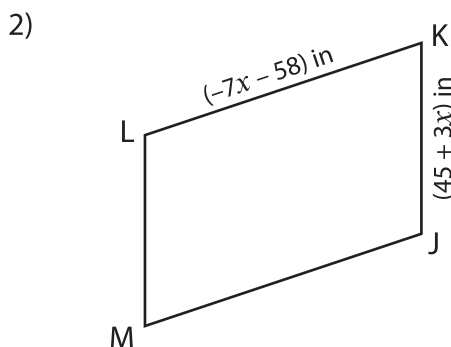


Perimeter = 80 yd

$x =$ _____

PQ = _____

SP = _____

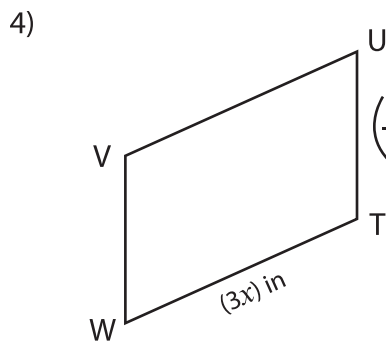


Perimeter = 180 ft

$x =$ _____

AB = _____

DA = _____

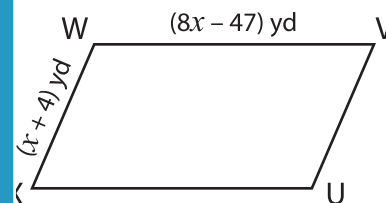


Perimeter = 34 in

$x =$ _____

WT = _____

TU = _____



Perimeter = 76 yd

$x =$ _____

XU = _____

UV = _____

PREVIEW

Gain complete access to the largest collection of worksheets in all subjects!

Members, please log in to download this worksheet.

Not a member? Please sign up to gain complete access.

www.mathworksheets4kids.com

7) The adjacent sides of a parallelogram measure $(3x - 5)$ feet and $(2x + 39)$ feet. If its perimeter is 148 feet, find the value of x and the lengths of the adjacent sides.
