

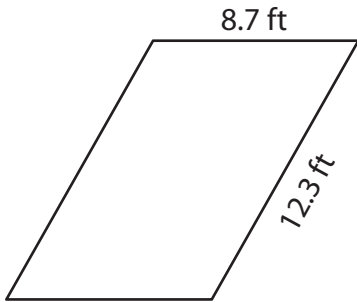
Name : _____

Perimeter of a Parallelogram

Sheet 1

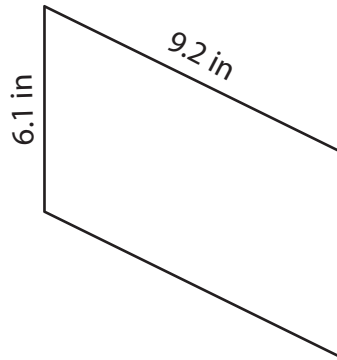
Find the perimeter of each parallelogram.

1)



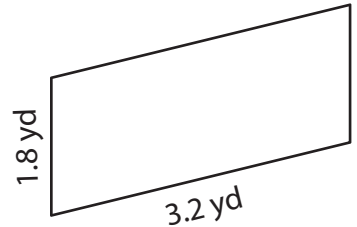
Perimeter = _____

2)



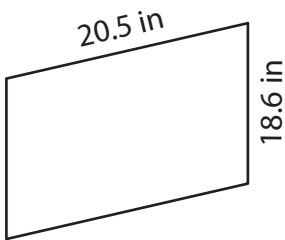
Perimeter = _____

3)



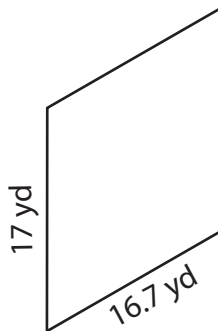
Perimeter = _____

4)



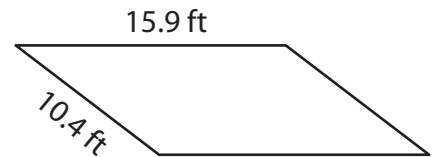
Perimeter = _____

5)



Perimeter = _____

6)



Perimeter = _____

7) If the lengths of the adjacent sides of a parallelogram are 13.8 feet and 24.6 feet, determine the perimeter of the parallelogram.

8) Find the perimeter of the parallelogram, if its adjacent sides measure 11.4 yards and 7.9 yards.

Name : _____

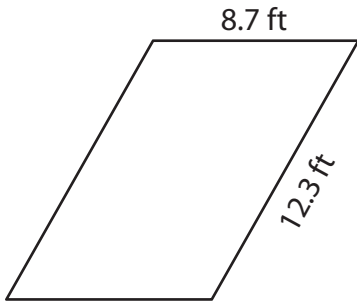
Answer key

Perimeter of a Parallelogram

Sheet 1

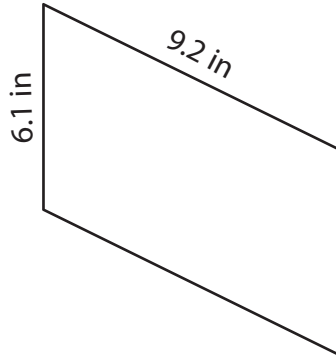
Find the perimeter of each parallelogram.

1)



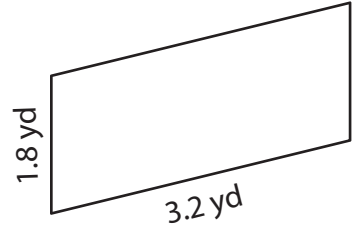
Perimeter = 42 ft

2)



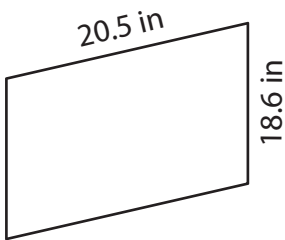
Perimeter = 30.6 in

3)



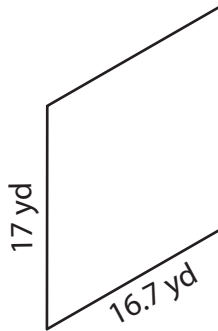
Perimeter = 10 yd

4)



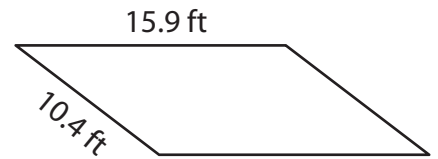
Perimeter = 78.2 in

5)



Perimeter = 67.4 yd

6)



Perimeter = 52.6 ft

7) If the lengths of the adjacent sides of a parallelogram are 13.8 feet and 24.6 feet, determine the perimeter of the parallelogram.

76.8 feet

8) Find the perimeter of the parallelogram, if its adjacent sides measure 11.4 yards and 7.9 yards.

38.6 yards