

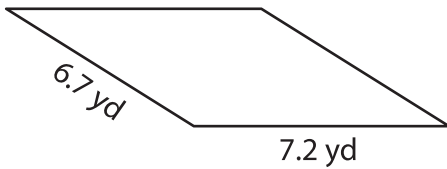
Name : _____

Perimeter of a Parallelogram

Sheet 2

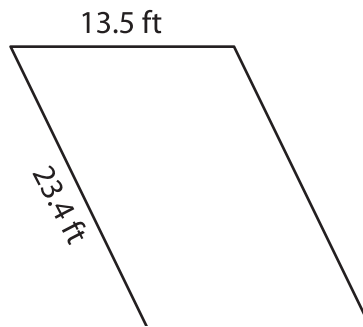
Find the perimeter of each parallelogram.

1)

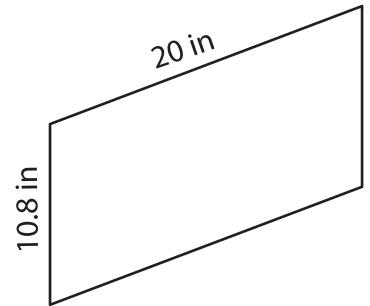


Perimeter = _____

2)

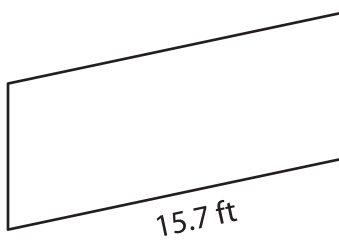


3)

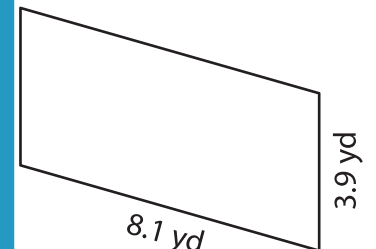


Perimeter = _____

4)



Perimeter = _____



Perimeter = _____

7) What is the perimeter of

5 yards and 9.6 yards?

8) The adjacent sides of a parallelogram measure 5.2 inches and 25 inches. Determine the perimeter of the parallelogram.

PREVIEW

Gain complete access to the largest collection of worksheets in all subjects!

Members, please log in to download this worksheet.

Not a member? Please sign up to gain complete access.

www.mathworksheets4kids.com