

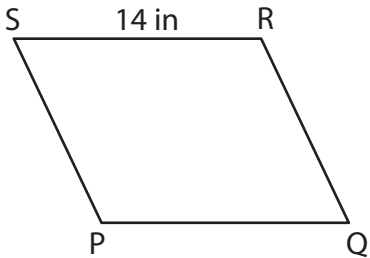
Name : \_\_\_\_\_

## Perimeter of a Parallelogram

Sheet 3

Find the missing side length of each parallelogram from the given perimeter.

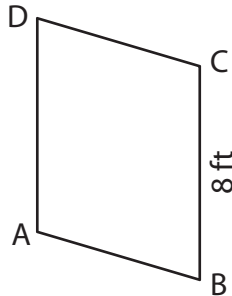
1)



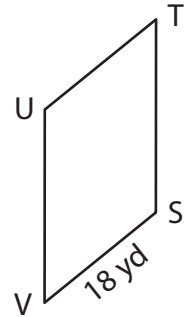
Perimeter = 52 in

QR = \_\_\_\_\_

2)



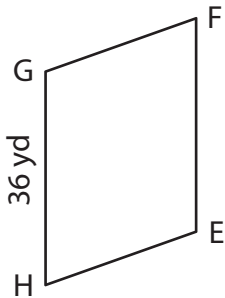
3)



Perimeter = 76 yd

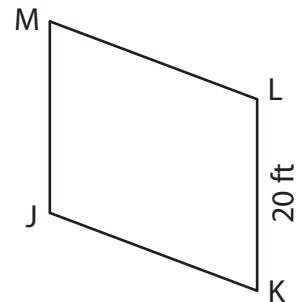
UV = \_\_\_\_\_

4)



Perimeter = 118 yd

FG = \_\_\_\_\_



Perimeter = 122 ft

LM = \_\_\_\_\_

7) A parallelogram has a perimeter of 100 feet. One of the adjacent sides is 28 feet. Find the length of the other adjacent side.

\_\_\_\_\_

8) The length of one of the sides of a parallelogram is 16 inches. If the perimeter of the parallelogram is 102 inches, what is the length of the adjacent side?

\_\_\_\_\_

**PREVIEW**

Gain complete access to the largest collection of worksheets in all subjects!

Members, please log in to download this worksheet.

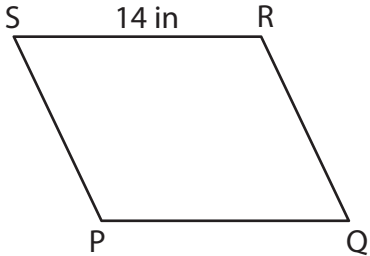
Not a member? Please sign up to gain complete access.

[www.mathworksheets4kids.com](http://www.mathworksheets4kids.com)

**Perimeter of a Parallelogram**

Find the missing side length of each parallelogram from the given perimeter.

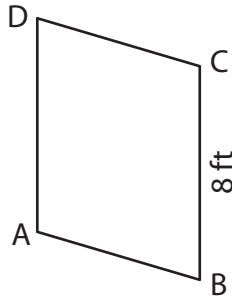
1)



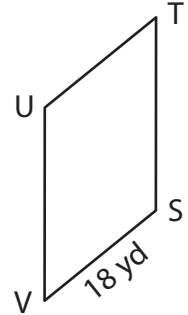
Perimeter = 52 in

QR = 12 in

2)



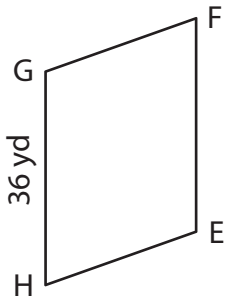
3)



Perimeter = 76 yd

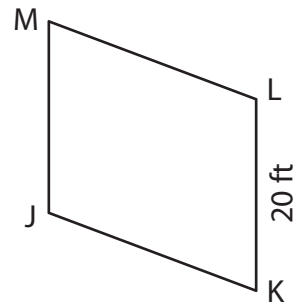
UV = 20 yd

4)



Perimeter = 118 yd

FG = 23 yd



Perimeter = 122 ft

LM = 41 ft

7) A parallelogram has a perimeter of 100 feet. One of the adjacent sides is 28 feet. Find the length of the other adjacent side.

\_\_\_\_\_ is 28 feet. Find the length of the other adjacent side.

21 feet

8) The length of one of the sides of a parallelogram is 16 inches. If the perimeter of the parallelogram is 102 inches, what is the length of the adjacent side?

35 inches

**PREVIEW**

Gain complete access to the largest collection of worksheets in all subjects!

Members, please log in to download this worksheet.

Not a member? Please sign up to gain complete access.

[www.mathworksheets4kids.com](http://www.mathworksheets4kids.com)