

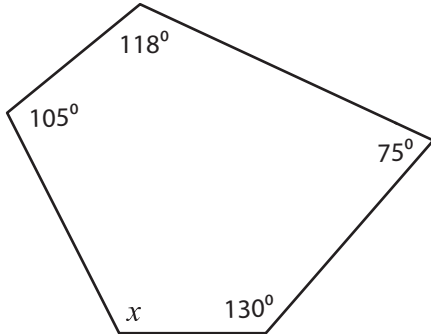
Name : _____

Interior Angle

Sheet 1

Find the value of x .

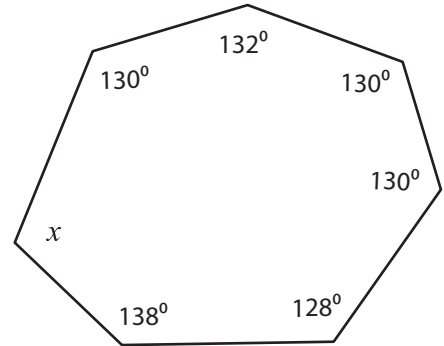
1)



Sum of the interior angles = _____

$x =$ _____

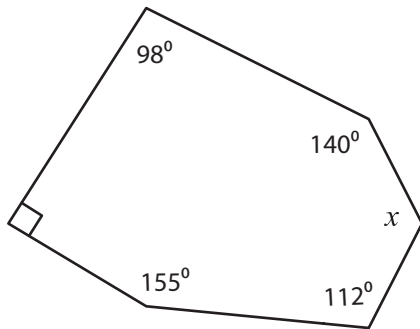
2)



Sum of the interior angles = _____

$x =$ _____

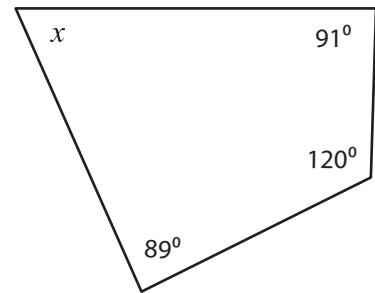
3)



Sum of the interior angles = _____

$x =$ _____

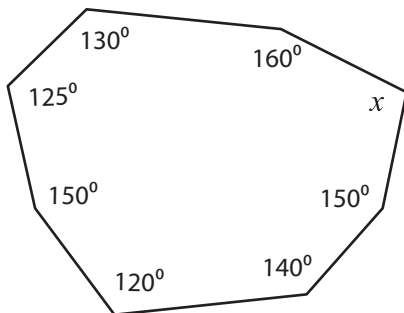
4)



Sum of the interior angles = _____

$x =$ _____

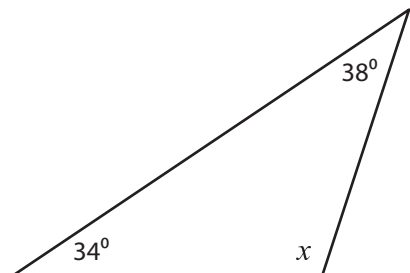
5)



Sum of the interior angles = _____

$x =$ _____

6)



Sum of the interior angles = _____

$x =$ _____

Name : _____

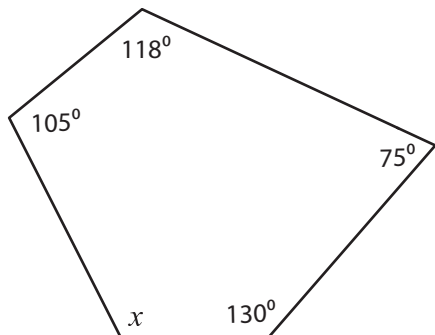
Answer key

Interior Angle

Sheet 1

Find the value of x .

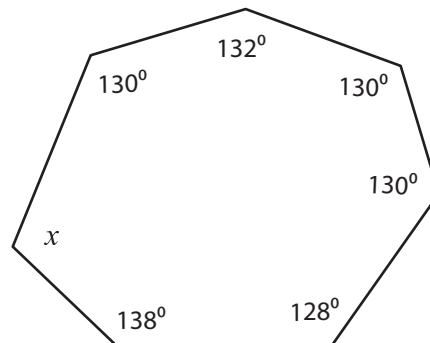
1)



Sum of the interior angles = 540°

$x =$ 112°

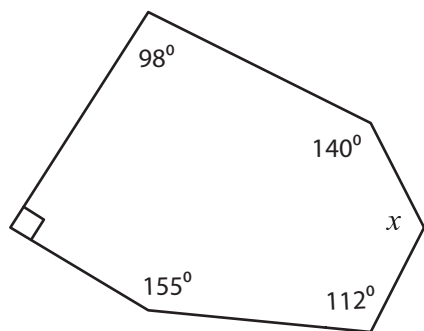
2)



Sum of the interior angles = 900°

$x =$ 112°

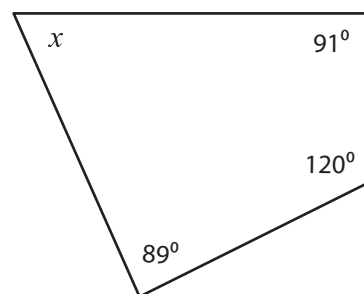
3)



Sum of the interior angles = 720°

$x =$ 125°

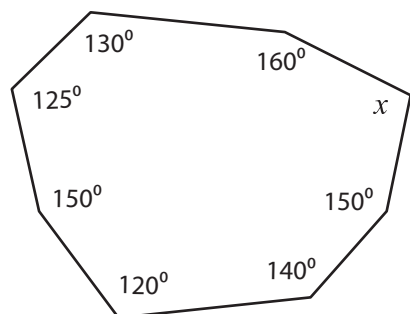
4)



Sum of the interior angles = 360°

$x =$ 60°

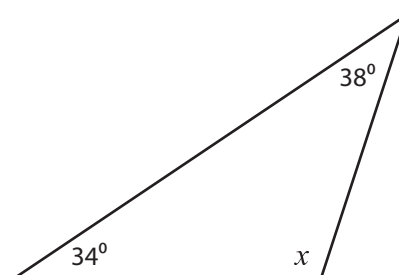
5)



Sum of the interior angles = 1080°

$x =$ 105°

6)



Sum of the interior angles = 180°

$x =$ 108°