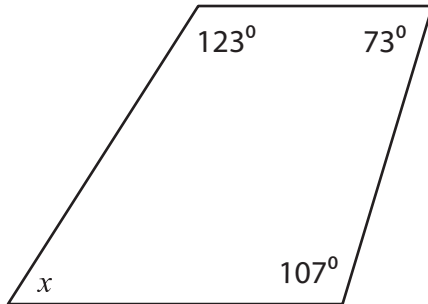


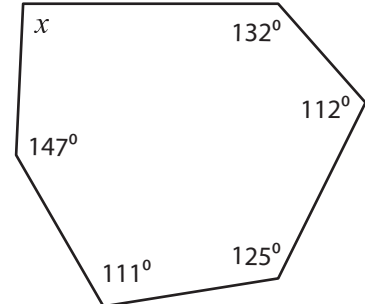
Interior Angle

Find the value of x .

1)



2)



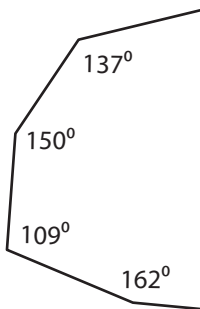
Sum of the interior

interior angles = _____

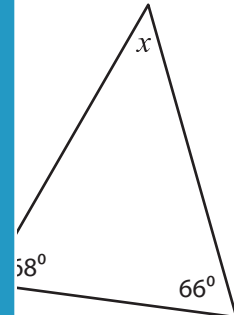
PREVIEW

$x =$ _____

3)



Gain complete access to the largest
collection of worksheets in all subjects!



Sum of the interior

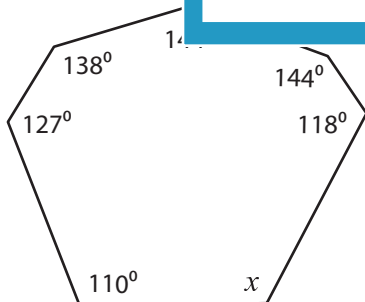
interior angles = _____

Members, please
log in to
download this
worksheet.

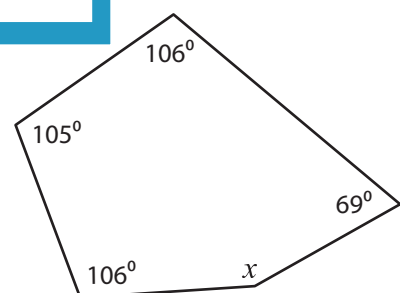
Not a member?
Please sign up to
gain complete
access.

$x =$ _____

5)



www.mathworksheets4kids.com



Sum of the interior angles = _____

Sum of the interior angles = _____

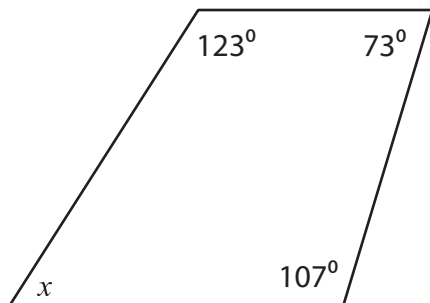
$x =$ _____

$x =$ _____

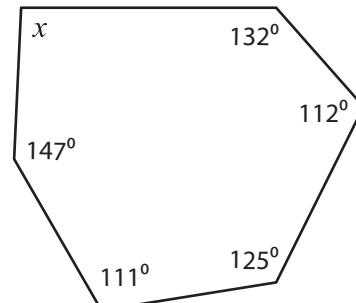
Interior Angle

Find the value of x.

1)



2)



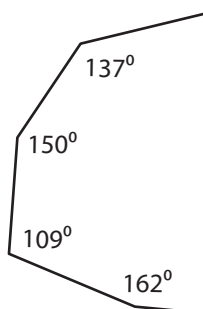
Sum of the interior

interior angles = 720°

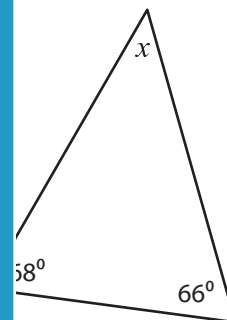
PREVIEW

x = 93°

3)



Gain complete access to the largest collection of worksheets in all subjects!



Sum of the interior

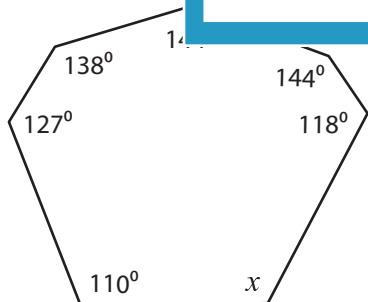
interior angles = 180°

Members, please log in to download this worksheet.

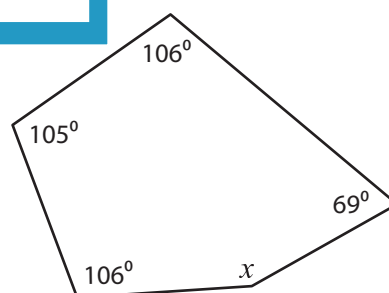
Not a member? Please sign up to gain complete access.

x = 46°

5)



www.mathworksheets4kids.com



Sum of the interior angles = 900°

Sum of the interior angles = 540°

x = 119°

x = 154°