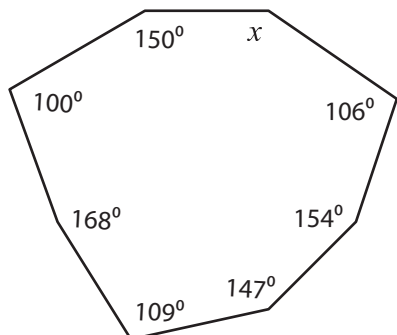


# Interior Angle

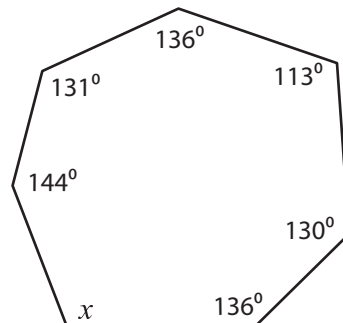
Find the value of  $x$ .

1)



Sum of the interior angles = \_\_\_\_\_

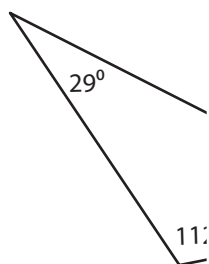
2)



interior angles = \_\_\_\_\_

$x$  = \_\_\_\_\_

3)



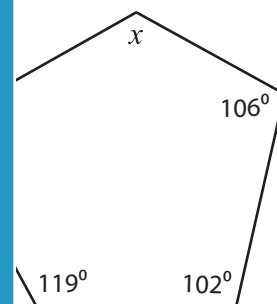
Sum of the interior angles = \_\_\_\_\_

Gain complete access to the largest collection of worksheets in all subjects!

Members, please log in to download this worksheet.

Not a member? Please sign up to gain complete access.

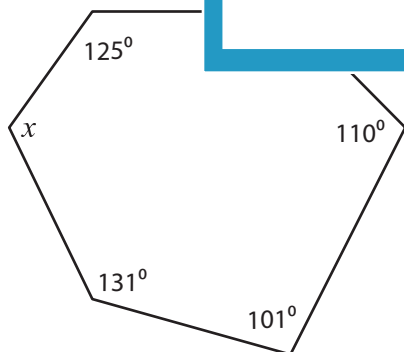
[www.mathworksheets4kids.com](http://www.mathworksheets4kids.com)



interior angles = \_\_\_\_\_

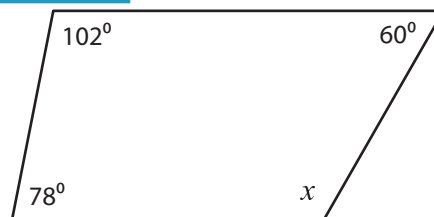
$x$  = \_\_\_\_\_

5)



Sum of the interior angles = \_\_\_\_\_

$x$  = \_\_\_\_\_



Sum of the interior angles = \_\_\_\_\_

$x$  = \_\_\_\_\_

Name : \_\_\_\_\_

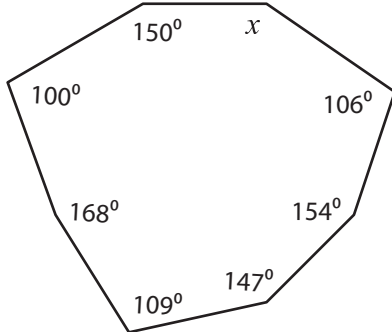
## Answer key

# Interior Angle

Sheet 5

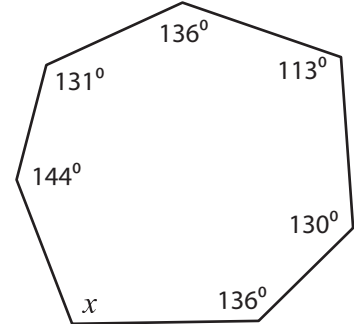
Find the value of  $x$ .

1)



Sum of the interior

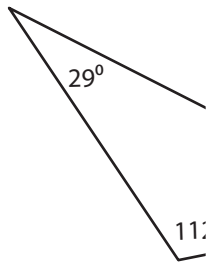
2)



interior angles =  $900^\circ$

$$x = \underline{110^\circ}$$

3)



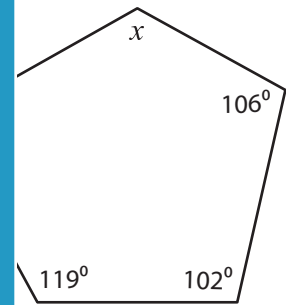
Sum of the interior

Gain complete access to the largest collection of worksheets in all subjects!

Members, please log in to download this worksheet.

Not a member? Please sign up to gain complete access.

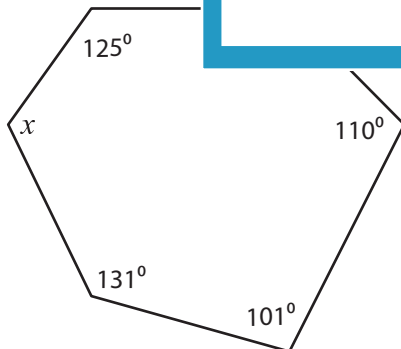
[www.mathworksheets4kids.com](http://www.mathworksheets4kids.com)



interior angles =  $540^\circ$

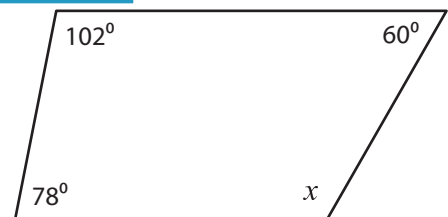
$$x = \underline{122^\circ}$$

5)



Sum of the interior angles =  $720^\circ$

$$x = \underline{118^\circ}$$



Sum of the interior angles =  $360^\circ$

$$x = \underline{120^\circ}$$