

Name : \_\_\_\_\_

L1S2

## Perimeter of a Polygon

A) Find the perimeter of each regular polygon.

1) Side length = 10 in, Number of sides = 7

Perimeter = \_\_\_\_\_

2) Side length = 4 ft, Number of sides = 6

Perimeter = \_\_\_\_\_

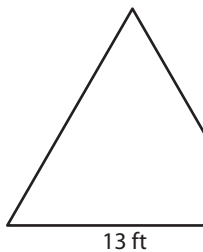
3) Side length = 12 yd, Number of sides = 5

Perimeter = \_\_\_\_\_

4) Side length = 9 in, Number of sides = 4

Perimeter = \_\_\_\_\_

5)



Perimeter = \_\_\_\_\_

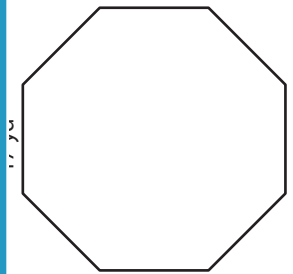
# PREVIEW

Gain complete access to the largest collection of worksheets in all subjects!

Members, please log in to download this worksheet.

Not a member? Please sign up to gain complete access.

[www.mathworksheets4kids.com](http://www.mathworksheets4kids.com)



Perimeter = \_\_\_\_\_

B) Find the perimeter

8) 4 ft, 12 ft, 7 ft, 16

Perimeter = \_\_\_\_\_

e lengths.

6 yd, 18 yd, 14 yd, 8 yd, 2 yd

\_\_\_\_\_

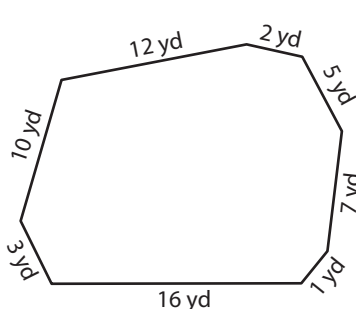
10) 9 yd, 3 yd, 1 yd, 2

Perimeter = \_\_\_\_\_

20 in

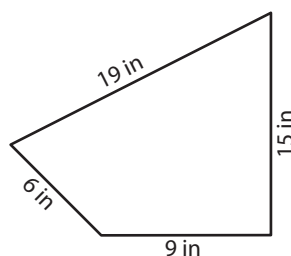
\_\_\_\_\_

12)



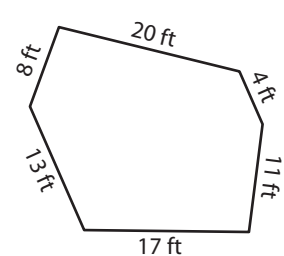
Perimeter = \_\_\_\_\_

13)



Perimeter = \_\_\_\_\_

14)



Perimeter = \_\_\_\_\_

## Perimeter of a Polygon

A) Find the perimeter of each regular polygon.

1) Side length = 10 in, Number of sides = 7

Perimeter = 70 in

2) Side length = 4 ft, Number of sides = 6

Perimeter = 24 ft

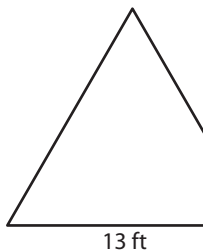
3) Side length = 12 yd, Number of sides = 5

Perimeter = 60 yd

4) Side length = 9 in, Number of sides = 4

Perimeter = 36 in

5)



Perimeter = \_\_\_\_\_

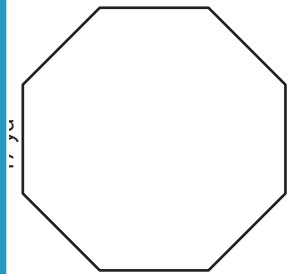
# PREVIEW

Gain complete access to the largest  
collection of worksheets in all subjects!

Members, please  
log in to  
download this  
worksheet.

Not a member?  
Please sign up to  
gain complete  
access.

[www.mathworksheets4kids.com](http://www.mathworksheets4kids.com)



Perimeter = 136 yd

B) Find the perimeter

8) 4 ft, 12 ft, 7 ft, 16 ft

Perimeter = \_\_\_\_\_

side lengths.

6 yd, 18 yd, 14 yd, 8 yd, 2 yd

Perimeter = 49 yd

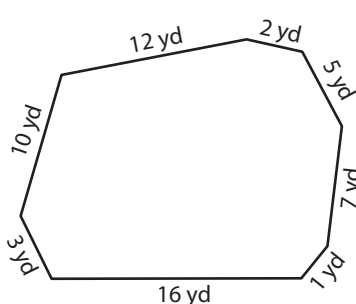
10) 9 yd, 3 yd, 1 yd, 2 yd

Perimeter = \_\_\_\_\_

20 in

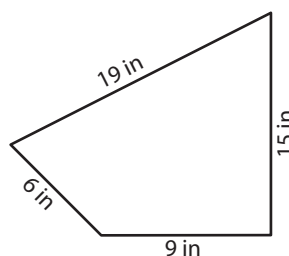
Perimeter = 15 in

12)



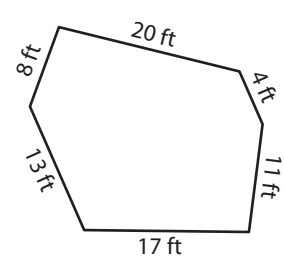
Perimeter = 56 yd

13)



Perimeter = 49 in

14)



Perimeter = 73 ft