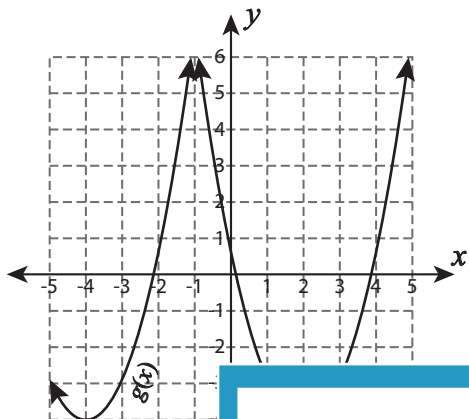


## Identifying Translation - Graph

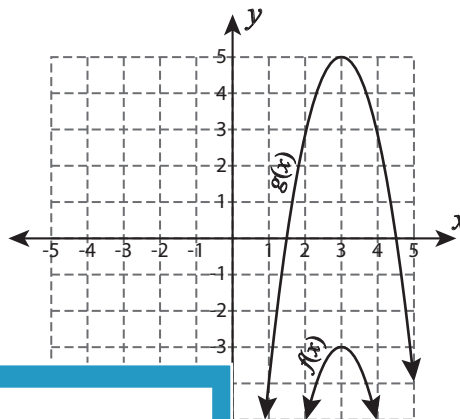
L1S3

If  $g(x)$  is a translated function of  $f(x)$ , then identify the translation in each graph.

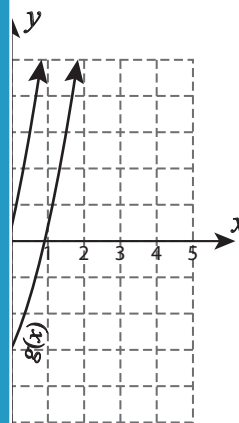
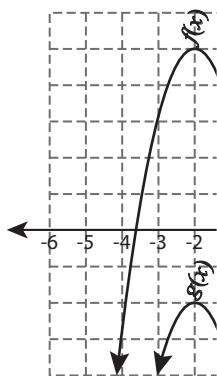
1)



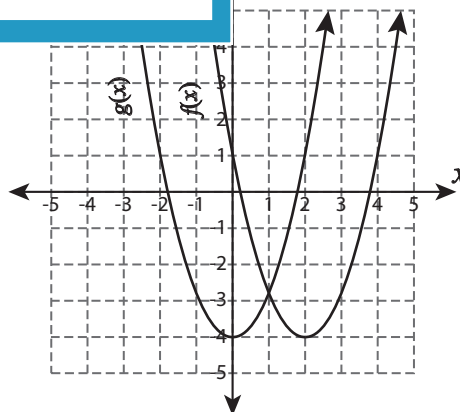
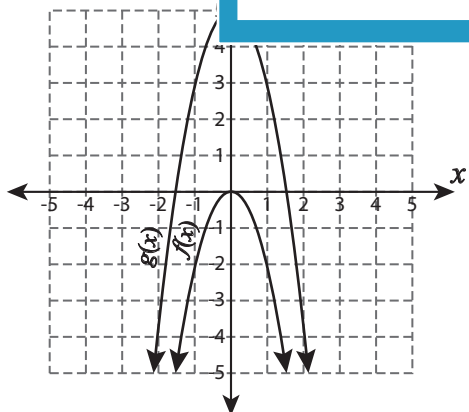
2)



3)



5)



# PREVIEW

Gain complete access to the largest collection of worksheets in all subjects!

Members, please log in to download this worksheet.

Not a member? Please sign up to gain complete access.

[www.mathworksheets4kids.com](http://www.mathworksheets4kids.com)

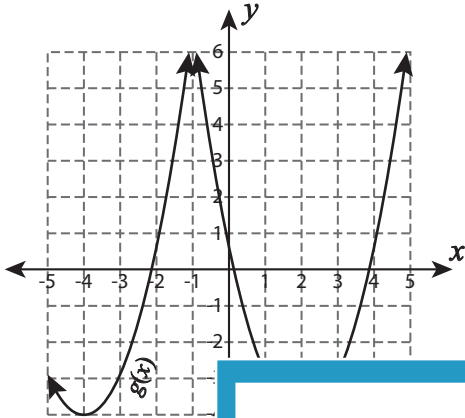
**Answer key**

**Identifying Translation - Graph**

L1S3

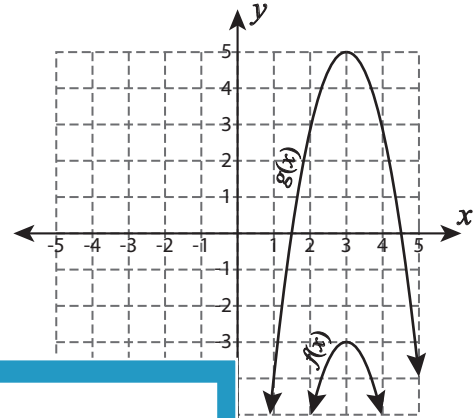
If  $g(x)$  is a translated function of  $f(x)$ , then identify the translation in each graph.

1)



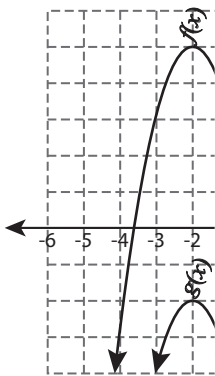
shifts 6 units down

2)

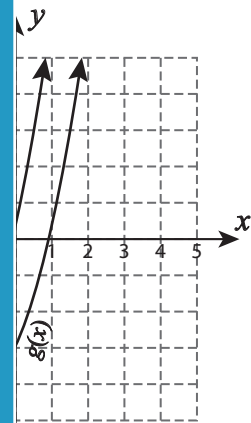


shifts 7 units up

3)

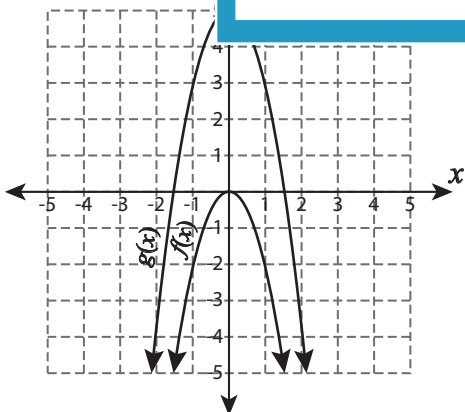


shifts 7 units up

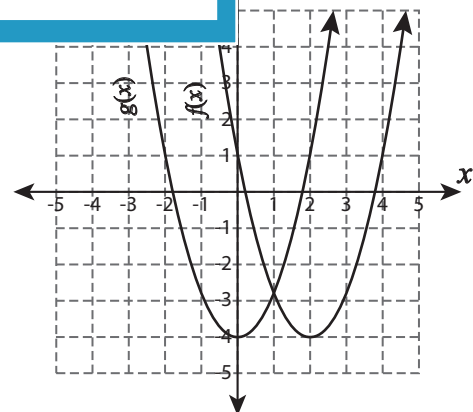


shifts 1 unit up

5)



shifts 5 units up



shifts 2 units left

**PREVIEW**

Gain complete access to the largest collection of worksheets in all subjects!

Members, please log in to download this worksheet.

Not a member? Please sign up to gain complete access.

[www.mathworksheets4kids.com](http://www.mathworksheets4kids.com)