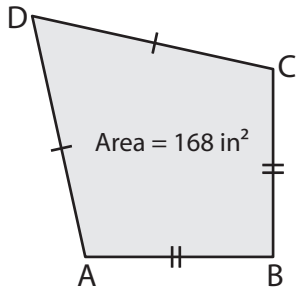


Name : _____

Area - Quadrilateral

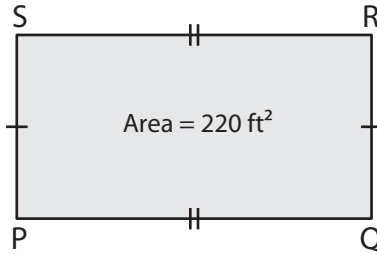
Sheet 1

1)



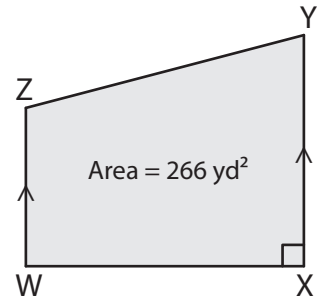
AC = 16 in. Find BD.

2)



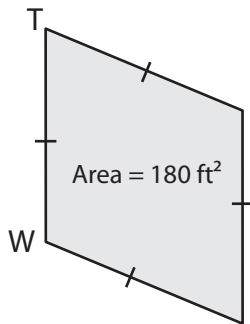
SR = 20 ft. Find SP.

3)



ZW = 12 yd, XY = 16 yd.
Find WX.

4)



TV = 24 ft. Find WL

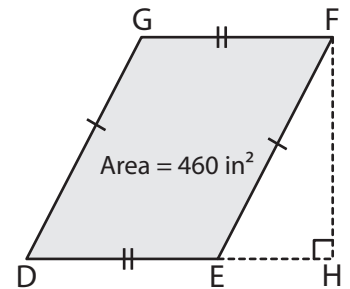
PREVIEW

Gain complete access to the largest collection of worksheets in all subjects!

Members, please log in to download this worksheet.

Not a member? Please sign up to gain complete access.

www.mathworksheets4kids.com



FH = 23 in. Find DE.

7) A square has an area of

_____ square?

8) The area of a kite is 119 square feet. If one of the diagonals of the kite measures 17 feet, find the length of the other diagonal.

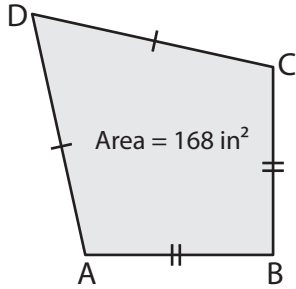
Name : _____

Answer key

Area - Quadrilateral

Sheet 1

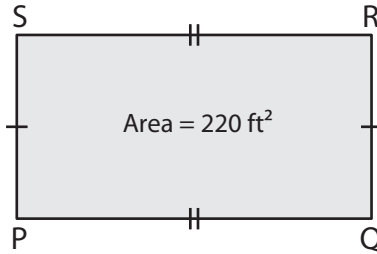
1)



AC = 16 in. Find BD.

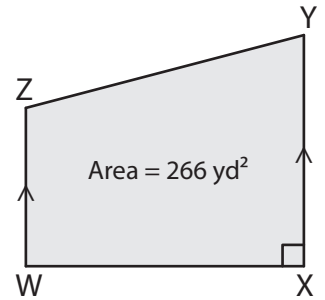
BD = 21 in

2)



SR = 20 ft. Find SP.

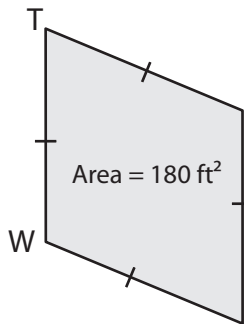
3)



ZW = 12 yd, XY = 16 yd.
Find WX.

WX = 19 yd

4)



TV = 24 ft. Find WV.

WV = 15 ft

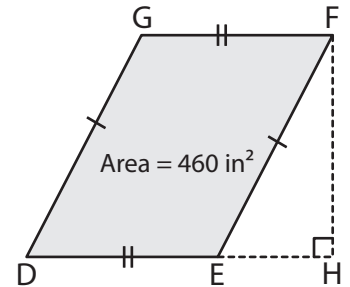
PREVIEW

Gain complete access to the largest collection of worksheets in all subjects!

Members, please log in to download this worksheet.

Not a member? Please sign up to gain complete access.

www.mathworksheets4kids.com



FH = 23 in. Find DE.

DE = 20 in

7) A square has an area of

576 square yards.

24 yards

8) The area of a kite is 119 square feet. If one of the diagonals of the kite measures 17 feet, find the length of the other diagonal.

14 feet