

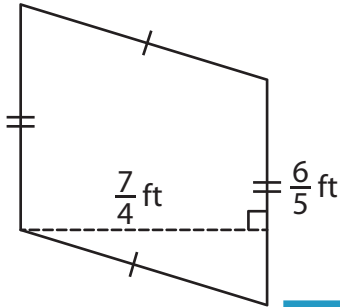
Name : \_\_\_\_\_

## Area – Quadrilateral

L2S2

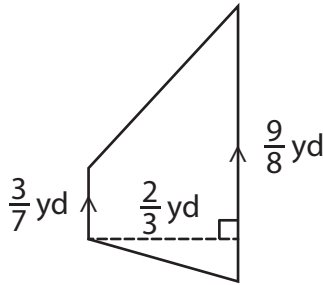
Find the area of each quadrilateral.

1)

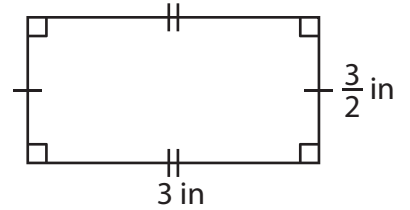


Area = \_\_\_\_\_

2)

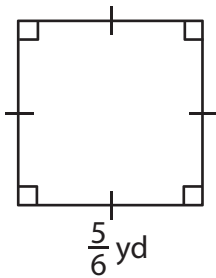


3)



Area = \_\_\_\_\_

4)



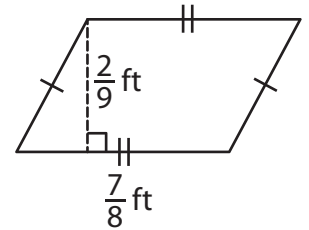
Area = \_\_\_\_\_

Gain complete access to the largest collection of worksheets in all subjects!

Members, please log in to download this worksheet.

Not a member? Please sign up to gain complete access.

[www.mathworksheets4kids.com](http://www.mathworksheets4kids.com)



Area = \_\_\_\_\_

7) The height of a trapezoid is  $\frac{3}{4}$  yard and the area of the trapezoid is  $\frac{15}{8}$  square yards. What is the length of the top base?

8) The height of a trapezoid is  $\frac{3}{4}$  yard and  $\frac{6}{7}$  yard, what is the area of the trapezoid?

\_\_\_\_\_

8) If the side of a square measures  $\frac{7}{2}$  feet, determine the area of the square.

\_\_\_\_\_

Name : \_\_\_\_\_

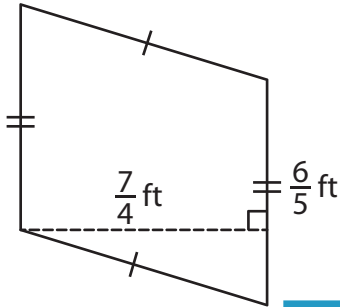
## Answer key

### Area – Quadrilateral

L2S2

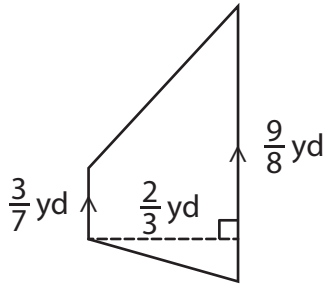
Find the area of each quadrilateral.

1)

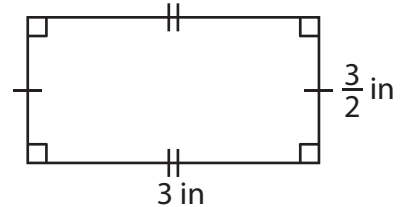


Area =  $\frac{21}{10}$  or  $2\frac{1}{10}$  ft<sup>2</sup>

2)

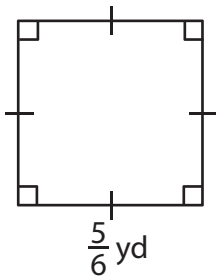


3)



Area =  $\frac{9}{2}$  or  $4\frac{1}{2}$  in<sup>2</sup>

4)

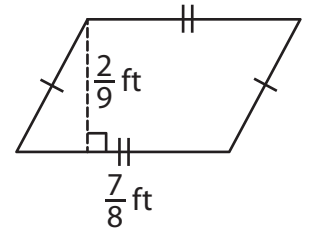


Area =  $\frac{25}{36}$  yd<sup>2</sup>

Gain complete access to the largest collection of worksheets in all subjects!

Members, please log in to download this worksheet.

Not a member? Please sign up to gain complete access.



Area =  $\frac{7}{36}$  ft<sup>2</sup>

7) The height of a trapezoid is  $\frac{3}{4}$  yard and the area of the trapezoid is  $\frac{15}{56}$  square yard. What is the length of the top base?

$\frac{15}{56}$  square yard

8) If the side of a square measures  $\frac{7}{2}$  feet, determine the area of the square.

$\frac{49}{4}$  or  $12\frac{1}{4}$  square feet