

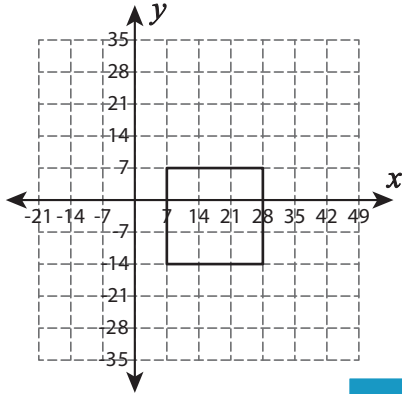
Name : _____

Area of a Quadrilateral

Sheet 1

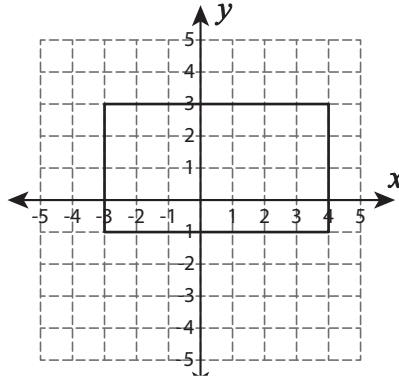
Find the area of each shape.

1)

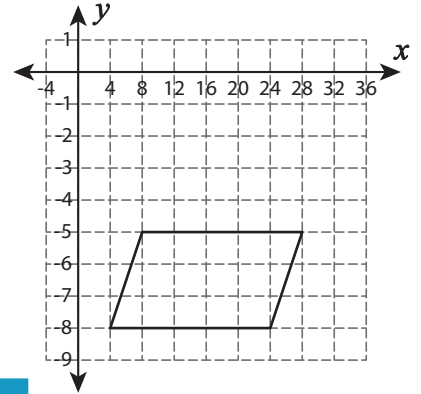


Area = _____

2)

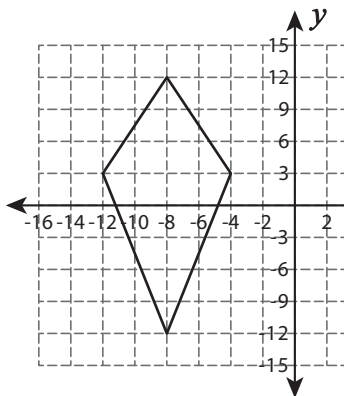


3)



Area = _____

4)



Area = _____

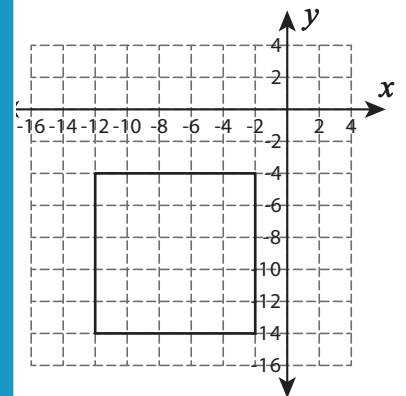
PREVIEW

Gain complete access to the largest collection of worksheets in all subjects!

Members, please log in to download this worksheet.

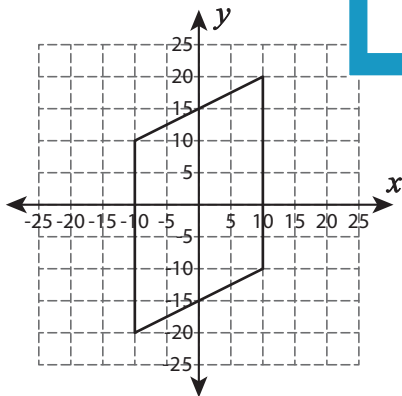
Not a member? Please sign up to gain complete access.

www.mathworksheets4kids.com

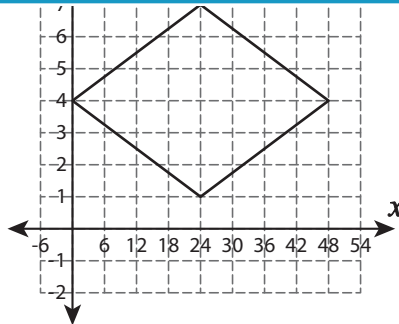


Area = _____

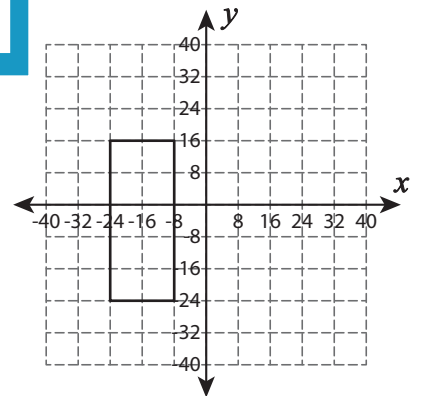
7)



Area = _____



Area = _____



Area = _____

Name : _____

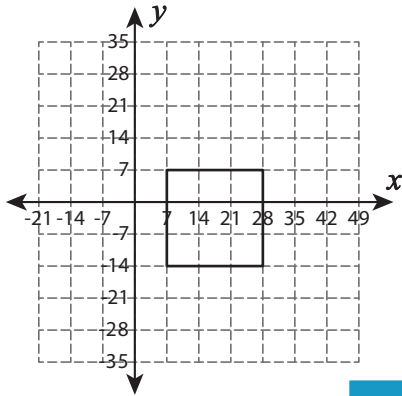
Answer key

Sheet 1

Area of a Quadrilateral

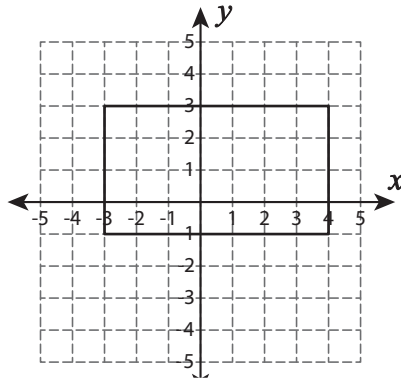
Find the area of each shape.

1)

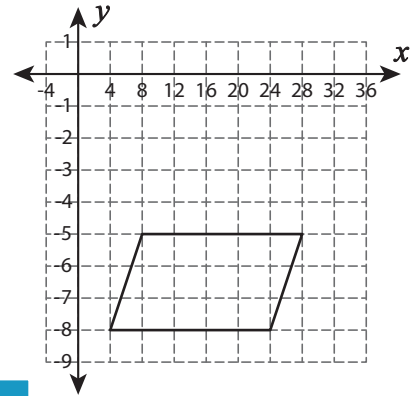


Area = 441 sq.units

2)

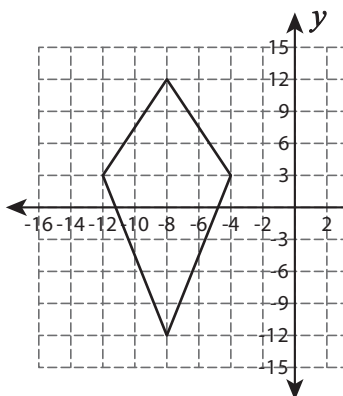


3)



Area = 60 sq.units

4)



Area = 96 sq.units

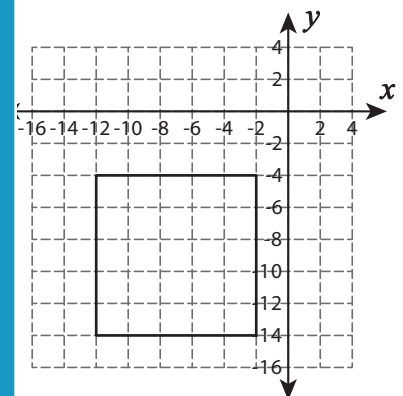
PREVIEW

Gain complete access to the largest collection of worksheets in all subjects!

Members, please log in to download this worksheet.

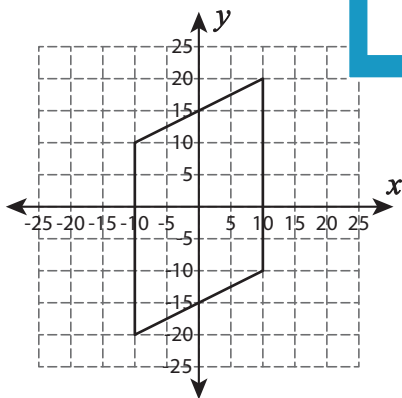
Not a member? Please sign up to gain complete access.

www.mathworksheets4kids.com

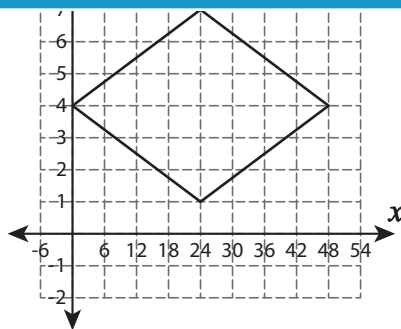


Area = 100 sq.units

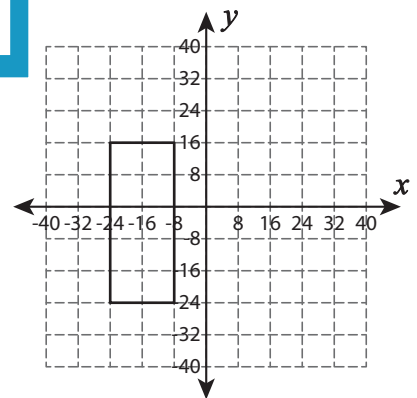
7)



Area = 600 sq.units



Area = 144 sq.units



Area = 640 sq.units