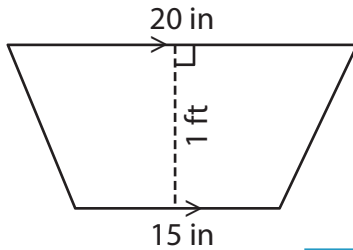


Name : _____

Area of a Quadrilateral

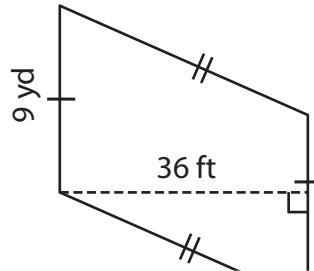
Find the area of each shape. Round your answer to two decimal places.

1)

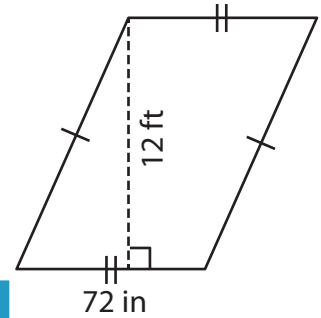


Area = _____

2)

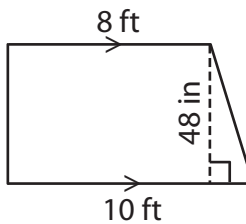


3)



Area = _____ ft²

4)



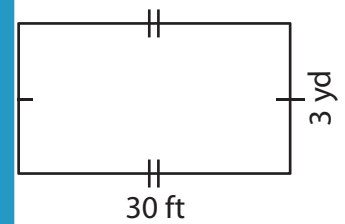
Area = _____

Gain complete access to the largest collection of worksheets in all subjects!

Members, please log in to download this worksheet.

Not a member? Please sign up to gain complete access.

www.mathworksheets4kids.com



Area = _____ yd²

7) Find the area of the rec

et.

_____ square inches

8) The base of a parallelogram is 10 yards and the height is 18 feet. Determine the area of the parallelogram.

_____ square yards

Name : _____

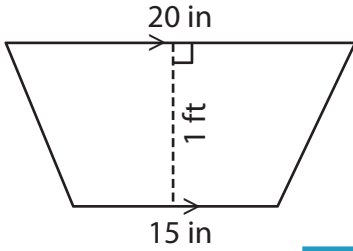
Answer key

Sheet 4

Area of a Quadrilateral

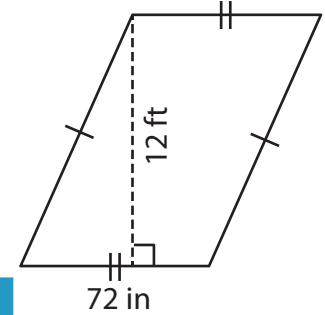
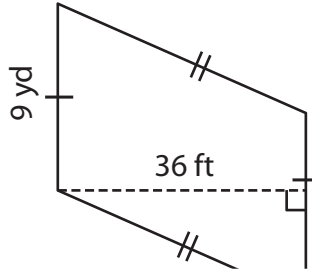
Find the area of each shape. Round your answer to two decimal places.

1)



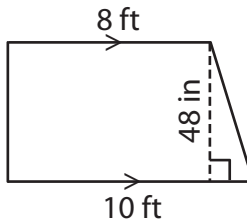
Area = 210

2)



Area = 72 ft²

4)



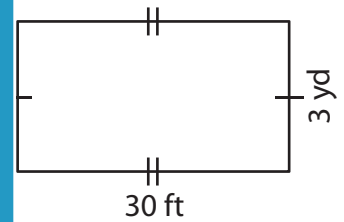
Area = 36

Gain complete access to the largest collection of worksheets in all subjects!

Members, please log in to download this worksheet.

Not a member? Please sign up to gain complete access.

www.mathworksheets4kids.com



Area = 30 yd²

7) Find the area of the rec

et.

768 square inches

8) The base of a parallelogram is 10 yards and the height is 18 feet. Determine the area of the parallelogram.

60 square yards