

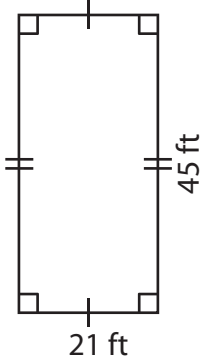
Name : _____

Area – Quadrilateral

L1S1

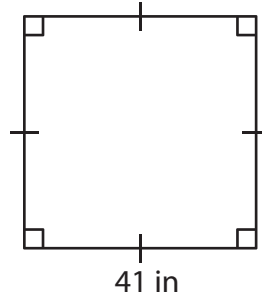
Find the area of each quadrilateral.

1)



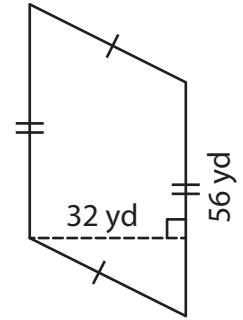
Area = _____

2)



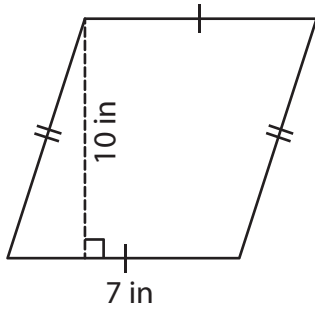
Area = _____

3)



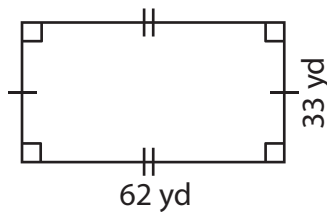
Area = _____

4)



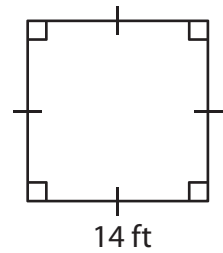
Area = _____

5)



Area = _____

6)



Area = _____

7) The length and width of a rectangle are 12 inches and 8 inches respectively. Determine the area of the rectangle.

8) If the height and the base of a parallelogram are 43 feet and 24 feet respectively, find the area of the parallelogram.

Name : _____

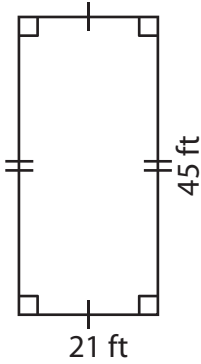
Answer key

Area – Quadrilateral

L151

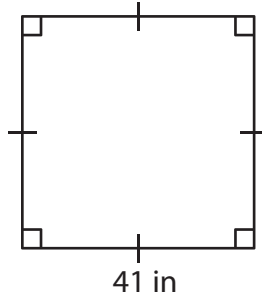
Find the area of each quadrilateral.

1)



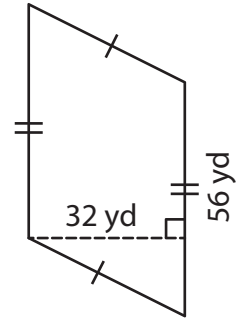
Area = 945 ft²

2)



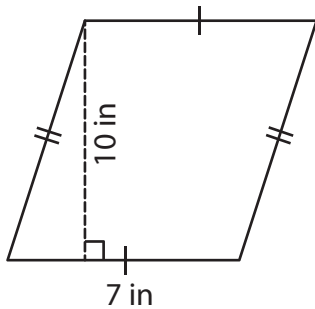
Area = 1,681 in²

3)



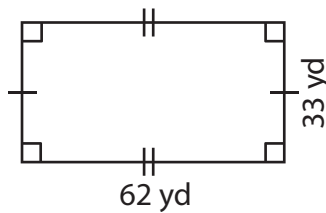
Area = 1,792 yd²

4)



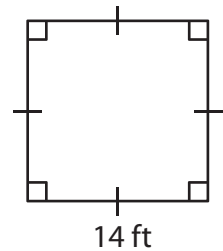
Area = 70 in²

5)



Area = 2,046 yd²

6)



Area = 196 ft²

7) The length and width of a rectangle are 12 inches and 8 inches respectively. Determine the area of the rectangle.

96 square inches

8) If the height and the base of a parallelogram are 43 feet and 24 feet respectively, find the area of the parallelogram.

1,032 square feet