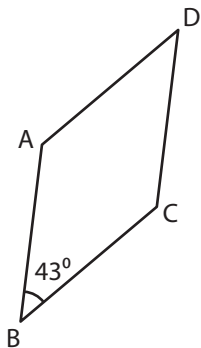


Name : \_\_\_\_\_

# Rhombus - Angles

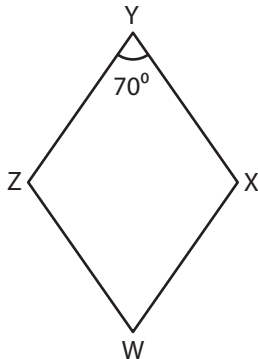
A) Find the measure of the indicated angle in each rhombus.

1)



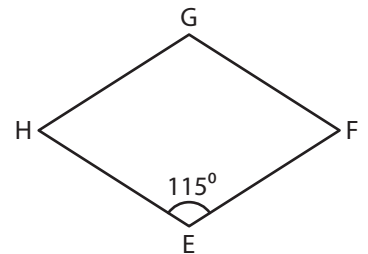
$m\angle A =$  \_\_\_\_\_

2)



$m\angle W =$  \_\_\_\_\_

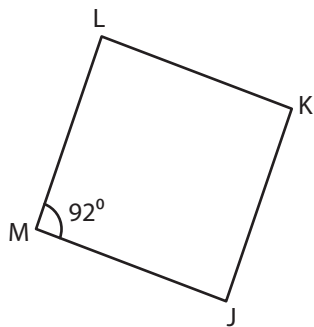
3)



$m\angle H =$  \_\_\_\_\_

B) Find the measure of the indicated angles in each rhombus.

4)

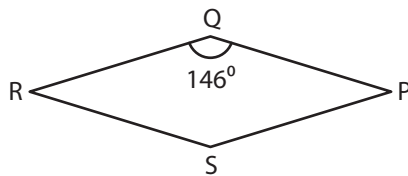


$m\angle J =$  \_\_\_\_\_

$m\angle K =$  \_\_\_\_\_

$m\angle L =$  \_\_\_\_\_

5)

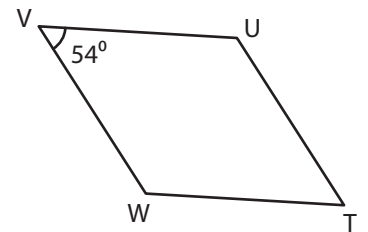


$m\angle P =$  \_\_\_\_\_

$m\angle R =$  \_\_\_\_\_

$m\angle S =$  \_\_\_\_\_

6)



$m\angle T =$  \_\_\_\_\_

$m\angle U =$  \_\_\_\_\_

$m\angle W =$  \_\_\_\_\_

7) In the rhombus CDEF,  $m\angle C$  is  $129^\circ$ . Determine  $m\angle D$ .

\_\_\_\_\_

8) Find  $m\angle Q$  in the rhombus QRST, if  $m\angle R$  is  $60^\circ$ .

\_\_\_\_\_

Name : \_\_\_\_\_

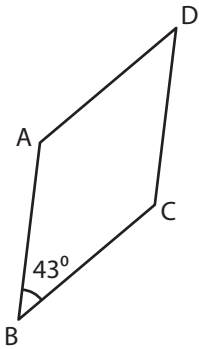
## Answer key

Sheet 1

# Rhombus - Angles

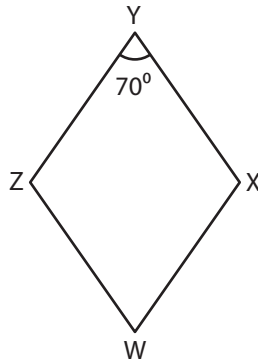
A) Find the measure of the indicated angle in each rhombus.

1)



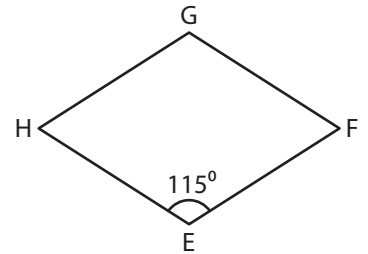
$$m\angle A = \underline{137^\circ}$$

2)



$$m\angle W = \underline{70^\circ}$$

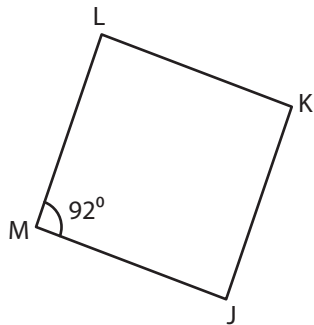
3)



$$m\angle H = \underline{65^\circ}$$

B) Find the measure of the indicated angles in each rhombus.

4)

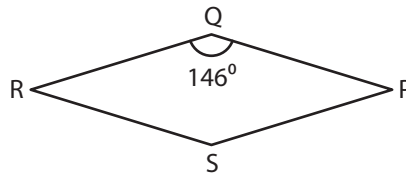


$$m\angle J = \underline{88^\circ}$$

$$m\angle K = \underline{92^\circ}$$

$$m\angle L = \underline{88^\circ}$$

5)

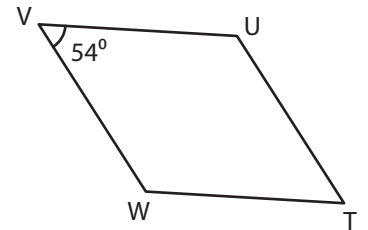


$$m\angle P = \underline{34^\circ}$$

$$m\angle R = \underline{34^\circ}$$

$$m\angle S = \underline{146^\circ}$$

6)



$$m\angle T = \underline{54^\circ}$$

$$m\angle U = \underline{126^\circ}$$

$$m\angle W = \underline{126^\circ}$$

7) In the rhombus CDEF,  $m\angle C$  is  $129^\circ$ . Determine  $m\angle D$ .

$$\underline{m\angle D = 51^\circ}$$

8) Find  $m\angle Q$  in the rhombus QRST, if  $m\angle R$  is  $60^\circ$ .

$$\underline{m\angle Q = 120^\circ}$$