

Name : _____

Types of Dilation

Sheet 1

A) State whether a dilation with the given scale factor is an enlargement or a reduction.

1) Scale factor = 2

2) Scale factor = $\frac{1}{8}$

3) Scale factor = $\frac{5}{4}$

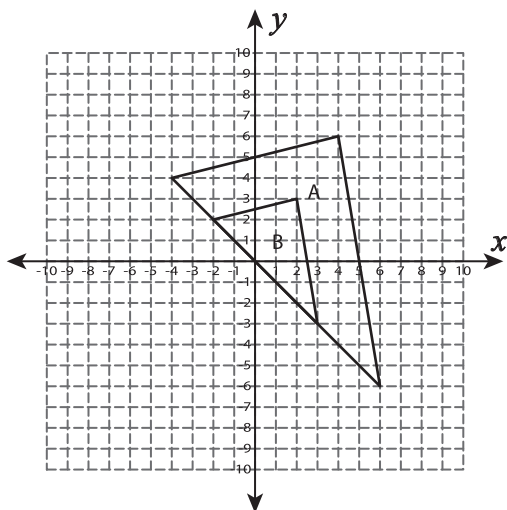
4) Scale factor = $\frac{2}{3}$

5) Scale factor = 3

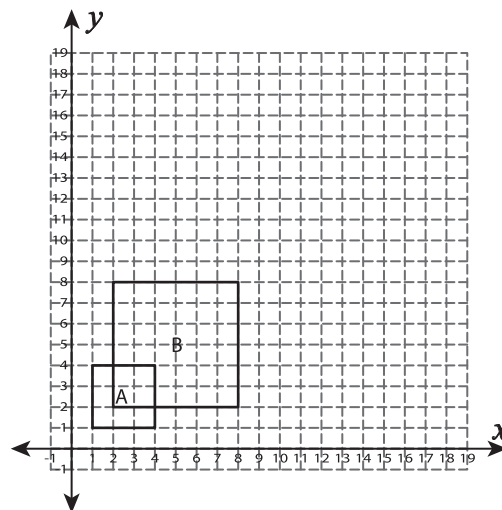
6) Scale factor = 0.2

B) Figure A is a dilated image of figure B. Identify the type of dilation. (reduction or enlargement)

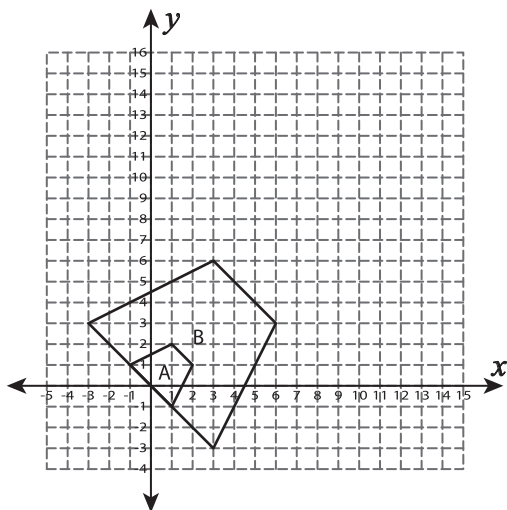
1)



2)



3)



4)

