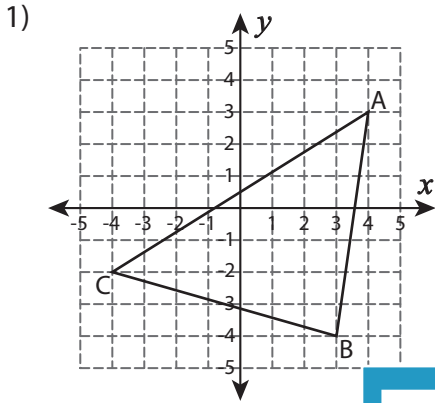


Finding Slopes: Shapes

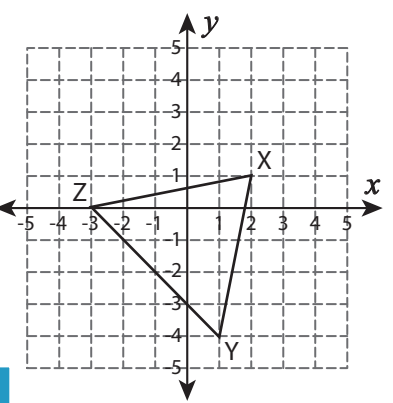
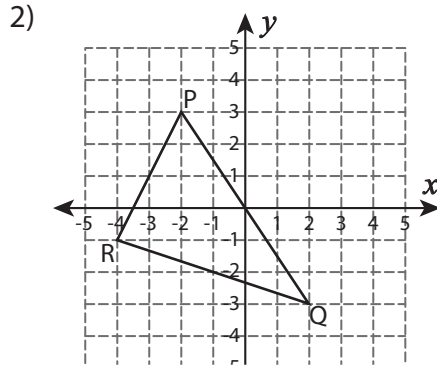
Identify the slope of each line segment, joined to form a triangle.



Slope of \overline{AB} = _____

Slope of \overline{BC} = _____

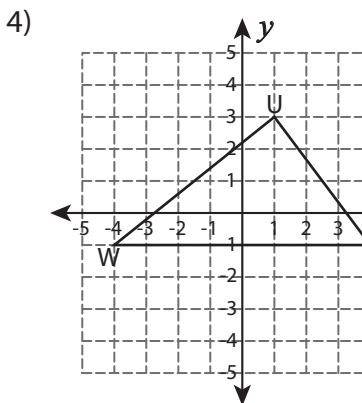
Slope of \overline{CA} = _____



Slope of \overline{XY} = _____

Slope of \overline{YZ} = _____

Slope of \overline{ZX} = _____



Slope of \overline{UV} = _____

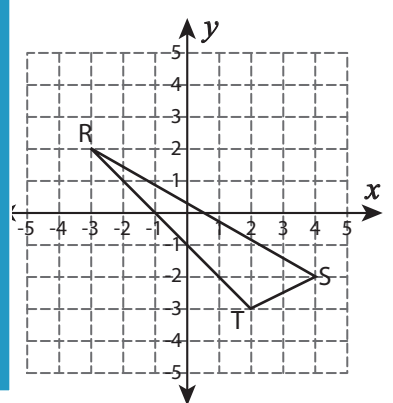
Slope of \overline{VW} = _____

Slope of \overline{WU} = _____

Slope of \overline{MN} = _____

Slope of \overline{NO} = _____

Slope of \overline{OM} = _____



Slope of \overline{RS} = _____

Slope of \overline{ST} = _____

Slope of \overline{TR} = _____

PREVIEW

Gain complete access to the largest
collection of worksheets in all subjects!

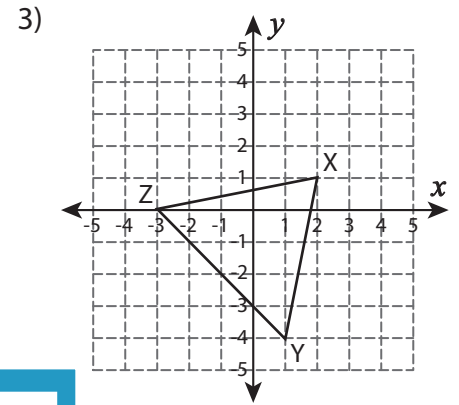
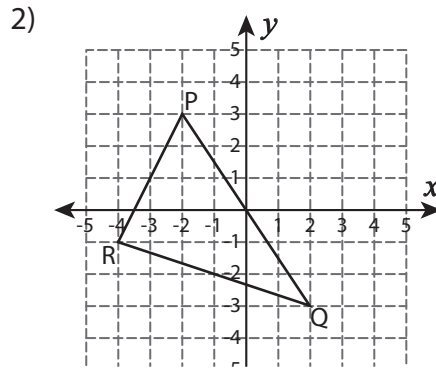
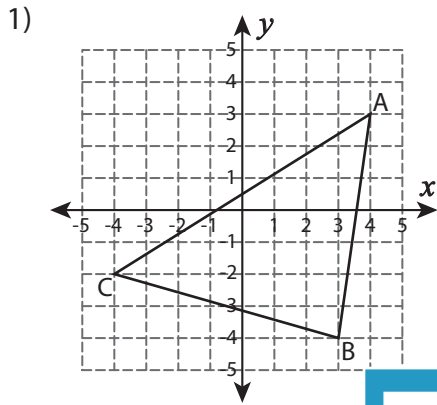
Members, please
log in to
download this
worksheet.

Not a member?
Please sign up to
gain complete
access.

www.mathworksheets4kids.com

Finding Slopes: Shapes

Identify the slope of each line segment, joined to form a triangle.



Slope of \overline{AB} = _____

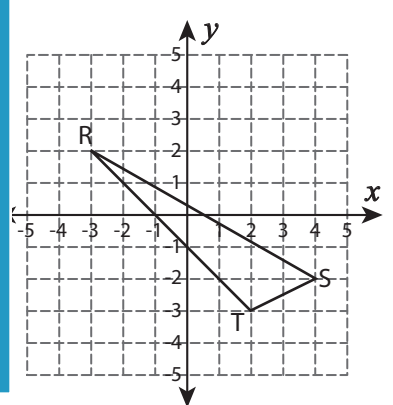
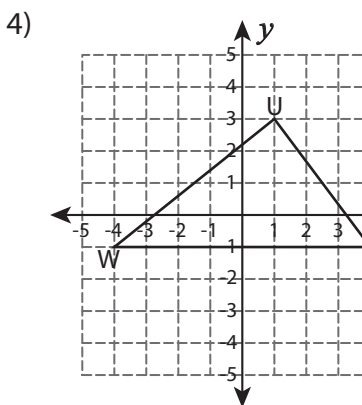
Slope of \overline{BC} = _____

Slope of \overline{CA} = _____

Slope of \overline{XY} = 5

Slope of \overline{YZ} = -1

Slope of \overline{ZX} = $\frac{1}{5}$



Slope of \overline{UV} = $-\frac{4}{3}$

Slope of \overline{MN} = 3

Slope of \overline{RS} = $-\frac{4}{7}$

Slope of \overline{VW} = 0

Slope of \overline{NO} = $-\frac{3}{4}$

Slope of \overline{ST} = $\frac{1}{2}$

Slope of \overline{WU} = $\frac{4}{5}$

Slope of \overline{OM} = $\frac{1}{2}$

Slope of \overline{TR} = -1

PREVIEW

Gain complete access to the largest collection of worksheets in all subjects!

Members, please log in to download this worksheet.

Not a member? Please sign up to gain complete access.

www.mathworksheets4kids.com