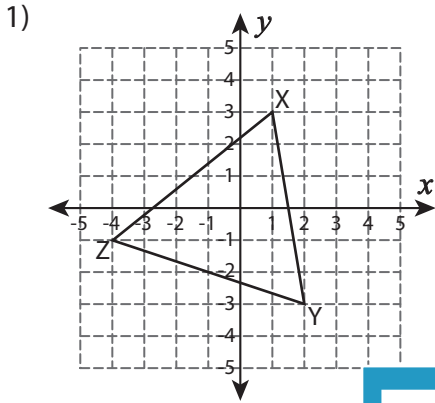


Name : _____

Finding Slopes: Shapes

Sheet 2

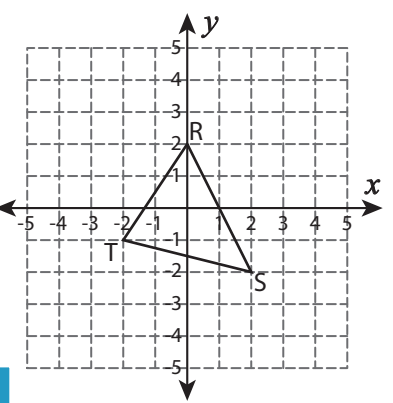
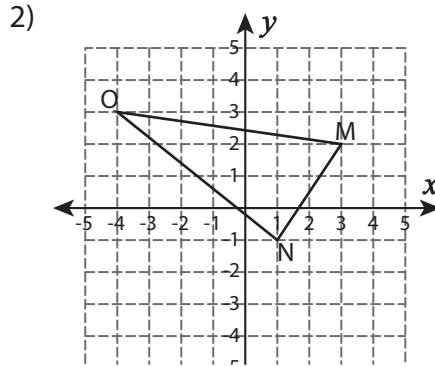
Identify the slope of each line segment, joined to form a triangle.



Slope of \overline{XY} = _____

Slope of \overline{YZ} = _____

Slope of \overline{ZX} = _____



Slope of \overline{RS} = _____

Slope of \overline{ST} = _____

Slope of \overline{TR} = _____

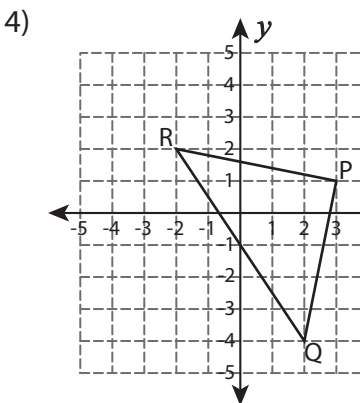
PREVIEW

Gain complete access to the largest collection of worksheets in all subjects!

Members, please log in to download this worksheet.

Not a member? Please sign up to gain complete access.

www.mathworksheets4kids.com



Slope of \overline{PQ} = _____

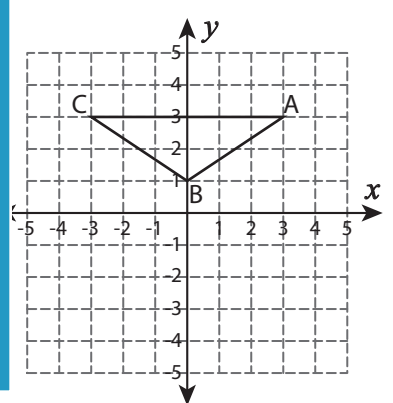
Slope of \overline{QR} = _____

Slope of \overline{RP} = _____

Slope of \overline{UV} = _____

Slope of \overline{VW} = _____

Slope of \overline{WU} = _____



Slope of \overline{AB} = _____

Slope of \overline{BC} = _____

Slope of \overline{CA} = _____

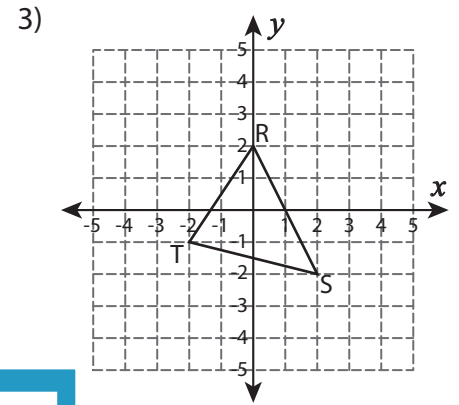
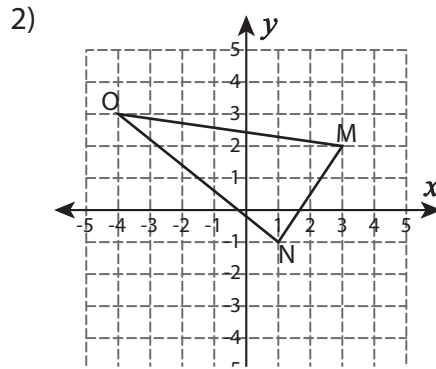
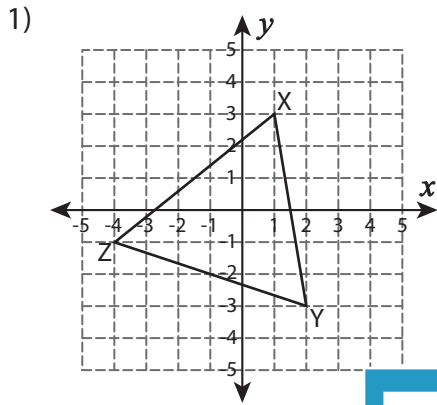
Name : _____

Answer key

Finding Slopes: Shapes

Sheet 2

Identify the slope of each line segment, joined to form a triangle.



Slope of \overline{XY} = -2

Slope of \overline{YZ} = -1/4

Slope of \overline{ZX} = 3/2

Slope of \overline{RS} = -2

Slope of \overline{ST} = -1/4

Slope of \overline{TR} = 3/2

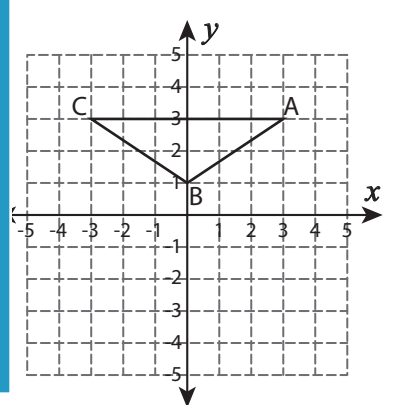
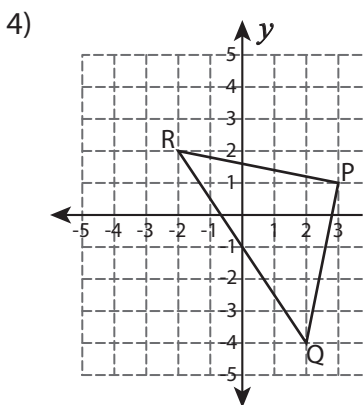
PREVIEW

Gain complete access to the largest collection of worksheets in all subjects!

Members, please log in to download this worksheet.

Not a member? Please sign up to gain complete access.

www.mathworksheets4kids.com



Slope of \overline{PQ} = 5

Slope of \overline{UV} = 3/2

Slope of \overline{AB} = 2/3

Slope of \overline{QR} = -3/2

Slope of \overline{VW} = -1/3

Slope of \overline{BC} = -2/3

Slope of \overline{RP} = -1/5

Slope of \overline{WU} = 1/8

Slope of \overline{CA} = 0