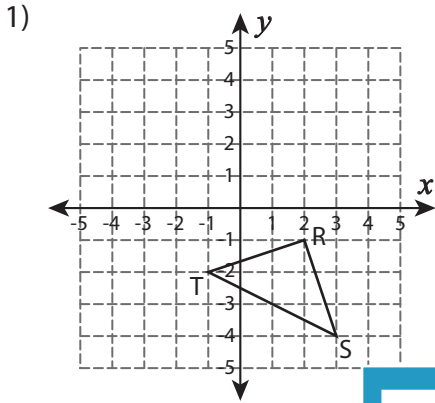


## Finding Slopes: Shapes

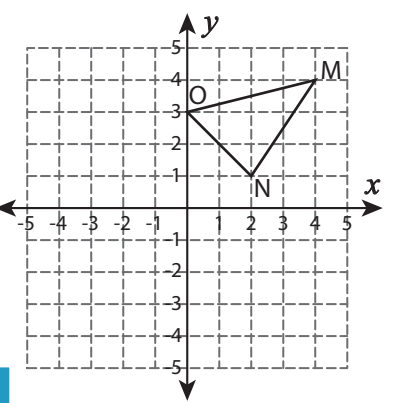
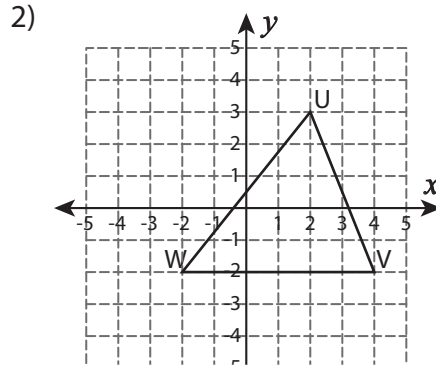
Identify the slope of each line segment, joined to form a triangle.



Slope of  $\overline{RS}$  = \_\_\_\_\_

Slope of  $\overline{ST}$  = \_\_\_\_\_

Slope of  $\overline{TR}$  = \_\_\_\_\_



Slope of  $\overline{MN}$  = \_\_\_\_\_

Slope of  $\overline{NO}$  = \_\_\_\_\_

Slope of  $\overline{OM}$  = \_\_\_\_\_

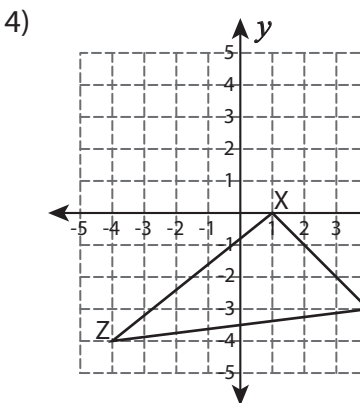
# PREVIEW

Gain complete access to the largest  
collection of worksheets in all subjects!

Members, please  
log in to  
download this  
worksheet.

Not a member?  
Please sign up to  
gain complete  
access.

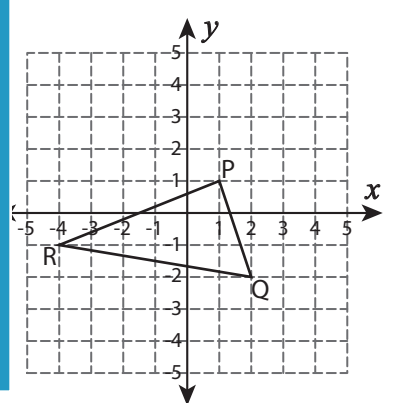
[www.mathworksheets4kids.com](http://www.mathworksheets4kids.com)



Slope of  $\overline{XY}$  = \_\_\_\_\_

Slope of  $\overline{YZ}$  = \_\_\_\_\_

Slope of  $\overline{ZX}$  = \_\_\_\_\_



Slope of  $\overline{AB}$  = \_\_\_\_\_

Slope of  $\overline{BC}$  = \_\_\_\_\_

Slope of  $\overline{CA}$  = \_\_\_\_\_

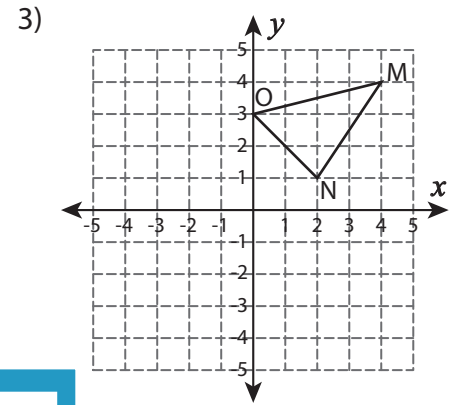
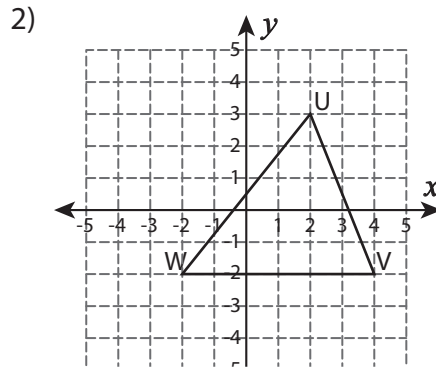
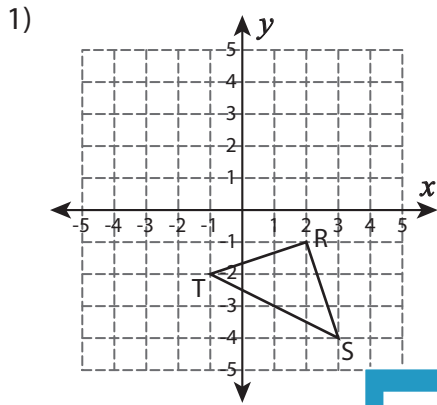
Slope of  $\overline{PQ}$  = \_\_\_\_\_

Slope of  $\overline{QR}$  = \_\_\_\_\_

Slope of  $\overline{RP}$  = \_\_\_\_\_

**Finding Slopes: Shapes**

Identify the slope of each line segment, joined to form a triangle.



Slope of  $\overline{RS}$  =       -3      

Slope of  $\overline{ST}$  =       -1/2      

Slope of  $\overline{TR}$  =       1/2      

Slope of  $\overline{MN}$  =       3/2      

Slope of  $\overline{NO}$  =       -1      

Slope of  $\overline{OM}$  =       1/4      

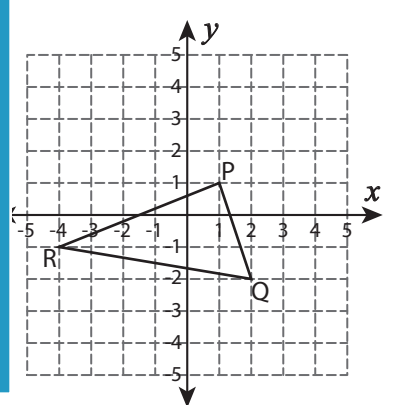
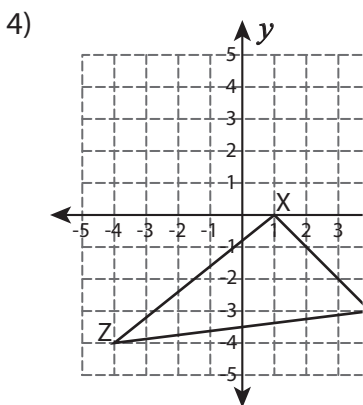
**PREVIEW**

Gain complete access to the largest collection of worksheets in all subjects!

Members, please log in to download this worksheet.

Not a member? Please sign up to gain complete access.

[www.mathworksheets4kids.com](http://www.mathworksheets4kids.com)



Slope of  $\overline{XY}$  =       -1      

Slope of  $\overline{AB}$  =       6      

Slope of  $\overline{PQ}$  =       -3      

Slope of  $\overline{YZ}$  =       1/8      

Slope of  $\overline{BC}$  =       -1      

Slope of  $\overline{QR}$  =       -1/6      

Slope of  $\overline{ZX}$  =       4/5      

Slope of  $\overline{CA}$  =       0      

Slope of  $\overline{RP}$  =       2/5