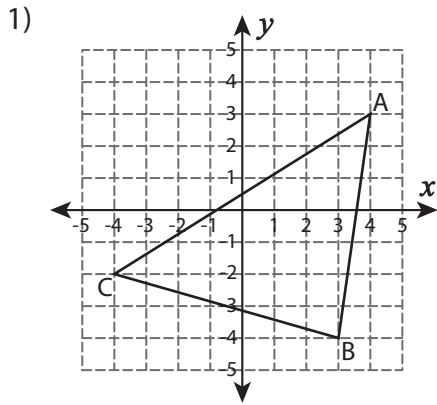


Name : _____

Finding Slopes: Shapes

Sheet 1

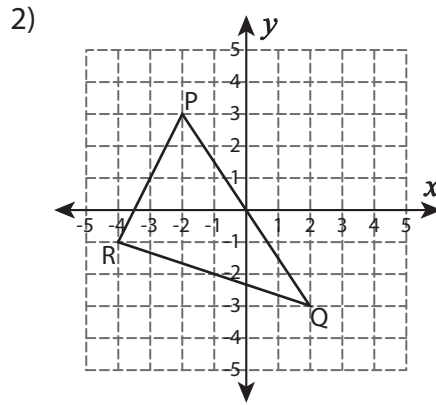
Identify the slope of each line segment, joined to form a triangle.



Slope of \overline{AB} = _____

Slope of \overline{BC} = _____

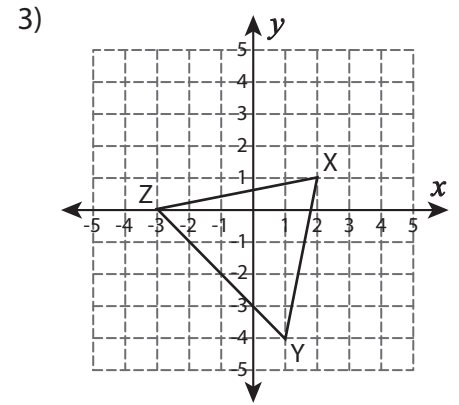
Slope of \overline{CA} = _____



Slope of \overline{PQ} = _____

Slope of \overline{QR} = _____

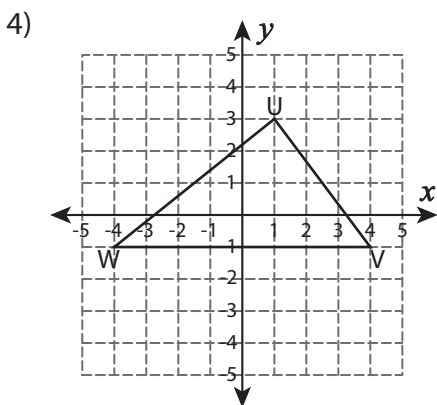
Slope of \overline{RP} = _____



Slope of \overline{XY} = _____

Slope of \overline{YZ} = _____

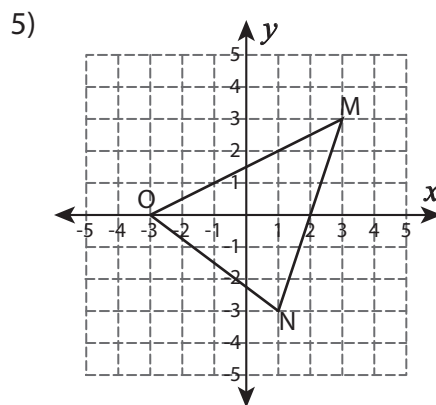
Slope of \overline{ZX} = _____



Slope of \overline{UV} = _____

Slope of \overline{VW} = _____

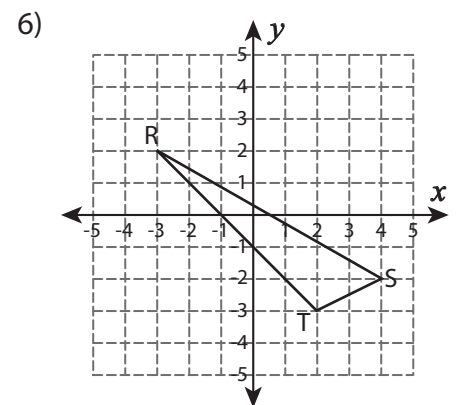
Slope of \overline{WU} = _____



Slope of \overline{MN} = _____

Slope of \overline{NO} = _____

Slope of \overline{OM} = _____



Slope of \overline{RS} = _____

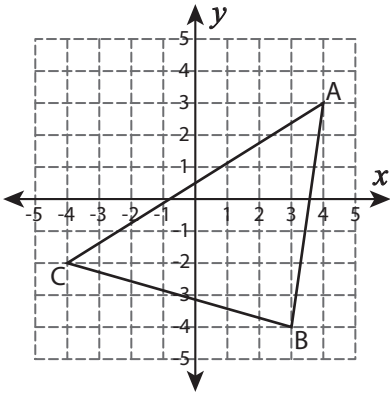
Slope of \overline{ST} = _____

Slope of \overline{TR} = _____

Finding Slopes: Shapes

Identify the slope of each line segment, joined to form a triangle.

1)

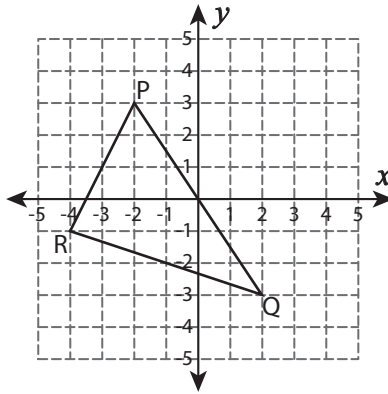


Slope of \overline{AB} = 7

Slope of \overline{BC} = $-\frac{2}{7}$

Slope of \overline{CA} = $\frac{5}{8}$

2)

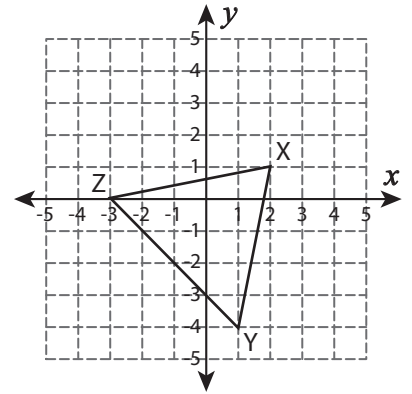


Slope of \overline{PQ} = $-\frac{3}{2}$

Slope of \overline{QR} = $-\frac{1}{3}$

Slope of \overline{RP} = 2

3)

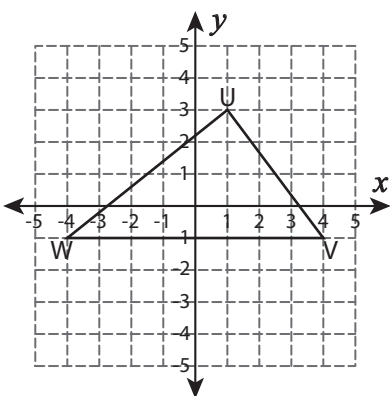


Slope of \overline{XY} = 5

Slope of \overline{YZ} = -1

Slope of \overline{ZX} = $\frac{1}{5}$

4)

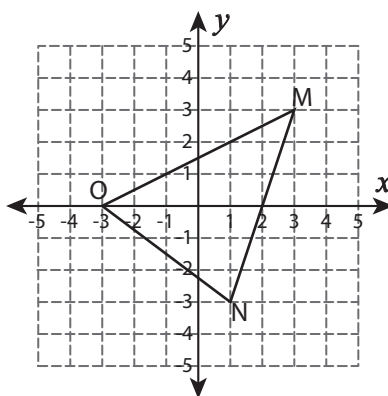


Slope of \overline{UV} = $-\frac{4}{3}$

Slope of \overline{VW} = 0

Slope of \overline{WU} = $\frac{4}{5}$

5)

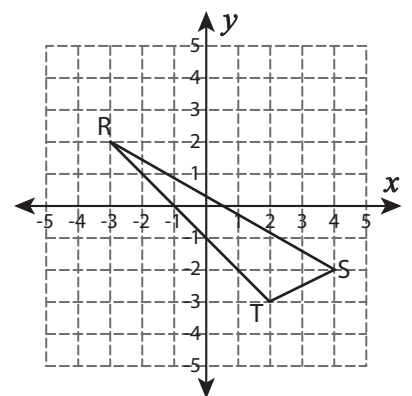


Slope of \overline{MN} = 3

Slope of \overline{NO} = $-\frac{3}{4}$

Slope of \overline{OM} = $\frac{1}{2}$

6)



Slope of \overline{RS} = $-\frac{4}{7}$

Slope of \overline{ST} = $\frac{1}{2}$

Slope of \overline{TR} = -1

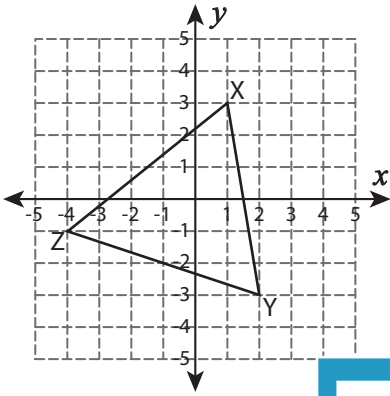
Name : _____

Finding Slopes: Shapes

Sheet 2

Identify the slope of each line segment, joined to form a triangle.

1)

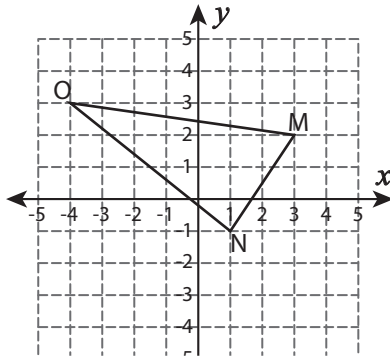


Slope of \overline{XY} = _____

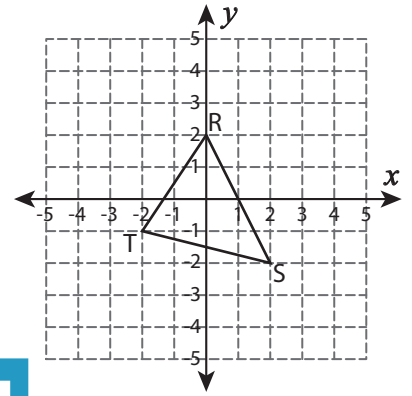
Slope of \overline{YZ} = _____

Slope of \overline{ZX} = _____

2)



3)

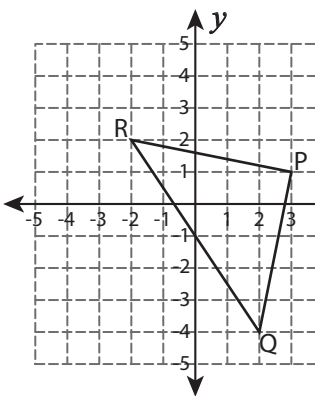


Slope of \overline{RS} = _____

Slope of \overline{ST} = _____

Slope of \overline{TR} = _____

4)



Slope of \overline{PQ} = _____

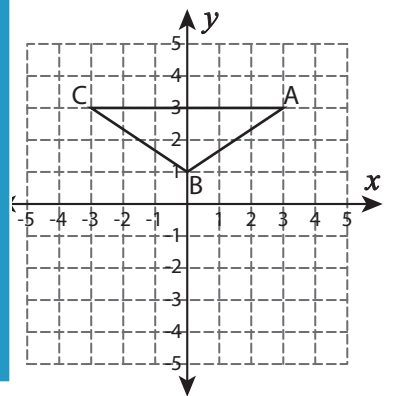
Slope of \overline{QR} = _____

Slope of \overline{RP} = _____

Slope of \overline{UV} = _____

Slope of \overline{VW} = _____

Slope of \overline{WU} = _____



Slope of \overline{AB} = _____

Slope of \overline{BC} = _____

Slope of \overline{CA} = _____

PREVIEW

Access the largest collection of
worksheets for just **\$19.95** per year!

Members, please
log in to
download this
worksheet.

Log in

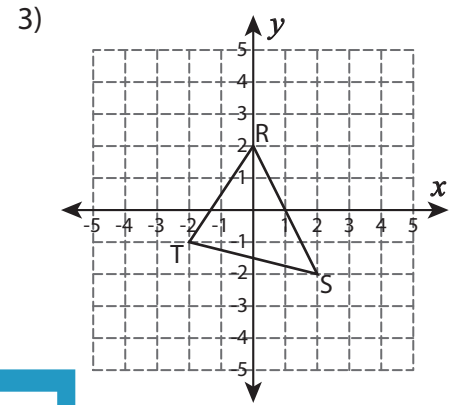
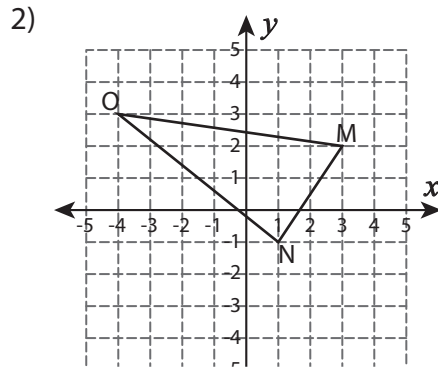
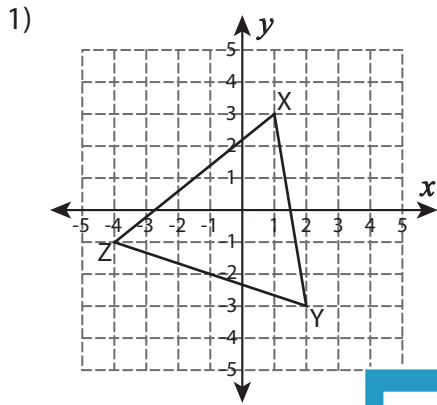
Not a member?
Please sign up to
gain complete
access.

Sign up

www.mathworksheets4kids.com

Finding Slopes: Shapes

Identify the slope of each line segment, joined to form a triangle.



Slope of \overline{XY} = -4

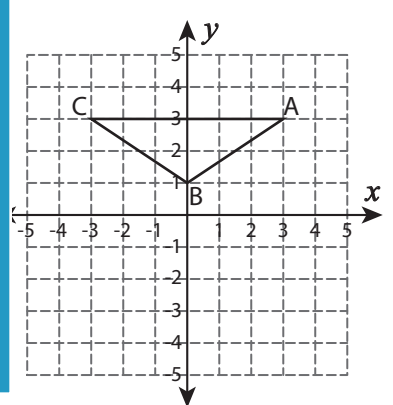
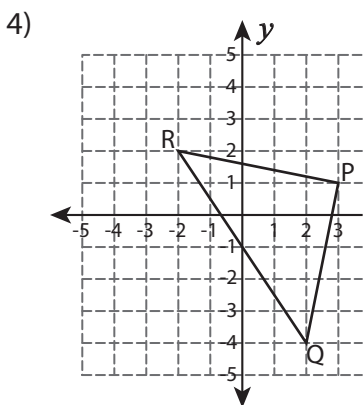
Slope of \overline{YZ} = -1/4

Slope of \overline{ZX} = 3/5

Slope of \overline{RS} = -2

Slope of \overline{ST} = -1/4

Slope of \overline{TR} = 3/2



Slope of \overline{PQ} = 5

Slope of \overline{UV} = 3/2

Slope of \overline{AB} = 2/3

Slope of \overline{QR} = -3/2

Slope of \overline{VW} = -1/3

Slope of \overline{BC} = -2/3

Slope of \overline{RP} = -1/5

Slope of \overline{WU} = 1/8

Slope of \overline{CA} = 0

PREVIEW

Access the largest collection of
worksheets for just **\$19.95** per year!

Members, please
log in to
download this
worksheet.

Log in

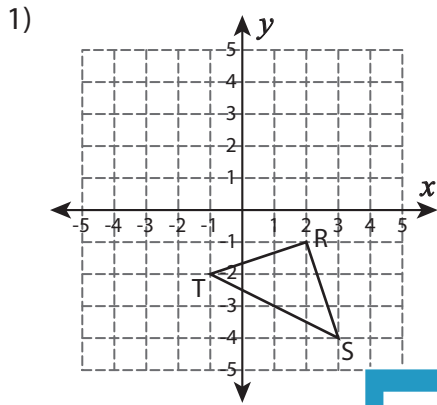
Not a member?
Please sign up to
gain complete
access.

Sign up

www.mathworksheets4kids.com

Finding Slopes: Shapes

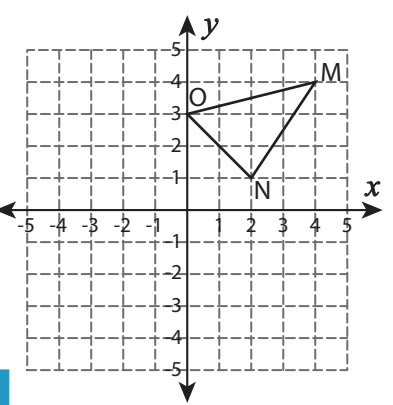
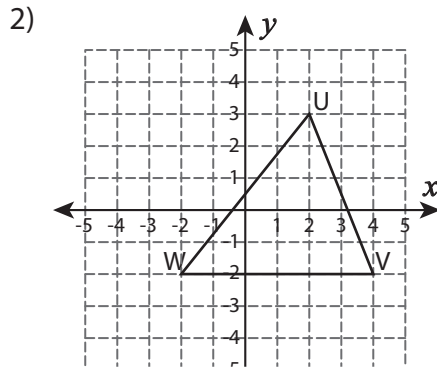
Identify the slope of each line segment, joined to form a triangle.



Slope of \overline{RS} = _____

Slope of \overline{ST} = _____

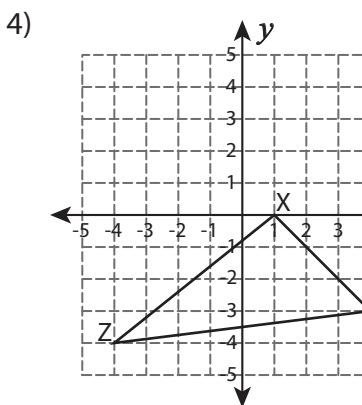
Slope of \overline{TR} = _____



Slope of \overline{MN} = _____

Slope of \overline{NO} = _____

Slope of \overline{OM} = _____



Slope of \overline{XY} = _____

Slope of \overline{YZ} = _____

Slope of \overline{ZX} = _____

PREVIEW

Access the largest collection of
worksheets for just **\$19.95** per year!

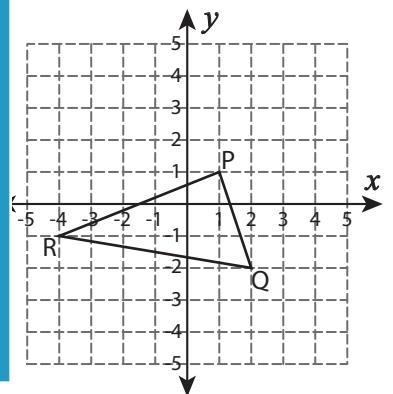
Members, please
log in to
download this
worksheet.

Log in

Not a member?
Please sign up to
gain complete
access.

Sign up

www.mathworksheets4kids.com



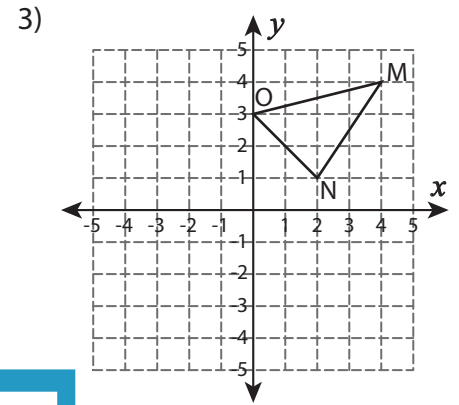
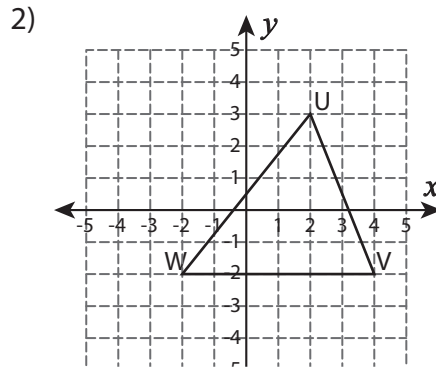
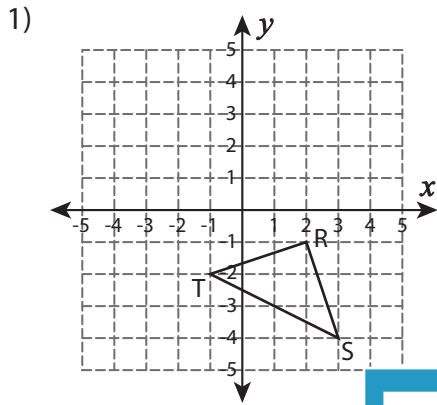
Slope of \overline{PQ} = _____

Slope of \overline{QR} = _____

Slope of \overline{RP} = _____

Finding Slopes: Shapes

Identify the slope of each line segment, joined to form a triangle.



Slope of \overline{RS} = - $\frac{3}{2}$

Slope of \overline{ST} = - $\frac{1}{2}$

Slope of \overline{TR} = - $\frac{1}{2}$

Slope of \overline{MN} = $\frac{3}{2}$

Slope of \overline{NO} = -1

Slope of \overline{OM} = $\frac{1}{4}$

PREVIEW

Access the largest collection of
worksheets for just **\$19.95** per year!

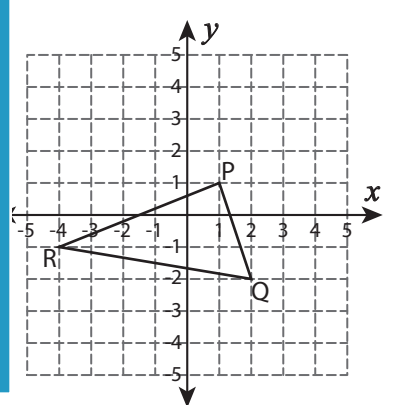
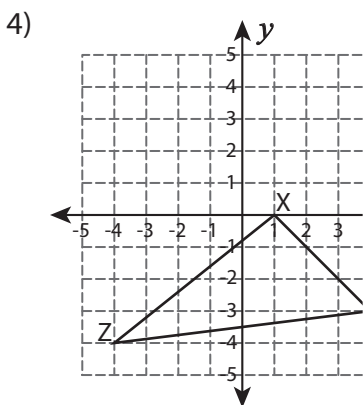
Members, please
log in to
download this
worksheet.

Log in

Not a member?
Please sign up to
gain complete
access.

Sign up

www.mathworksheets4kids.com



Slope of \overline{XY} = -1

Slope of \overline{AB} = 6

Slope of \overline{PQ} = -3

Slope of \overline{YZ} = $\frac{1}{8}$

Slope of \overline{BC} = -1

Slope of \overline{QR} = - $\frac{1}{6}$

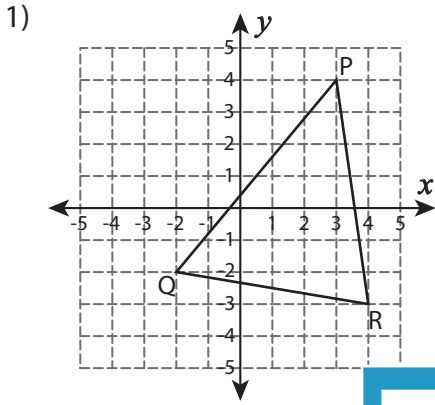
Slope of \overline{ZX} = $\frac{4}{5}$

Slope of \overline{CA} = 0

Slope of \overline{RP} = $\frac{2}{5}$

Finding Slopes: Shapes

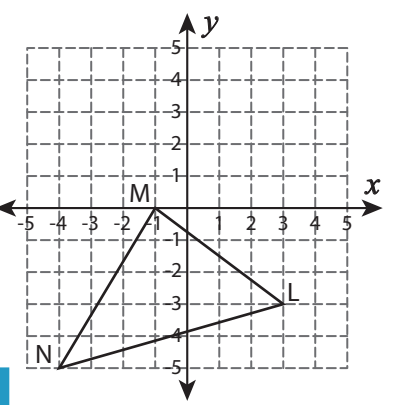
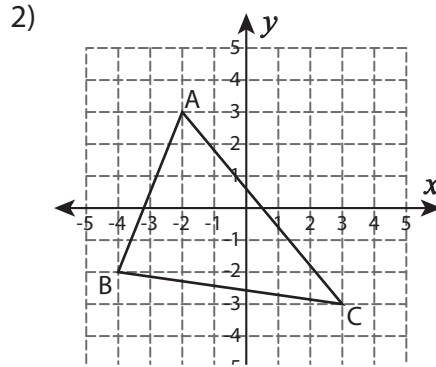
Identify the slope of each line segment, joined to form a triangle.



Slope of \overline{PQ} = _____

Slope of \overline{QR} = _____

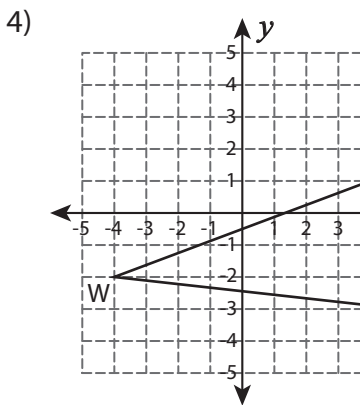
Slope of \overline{RP} = _____



Slope of \overline{MN} = _____

Slope of \overline{NL} = _____

Slope of \overline{LM} = _____



Slope of \overline{UV} = _____

Slope of \overline{VW} = _____

Slope of \overline{VU} = _____

PREVIEW

Access the largest collection of
worksheets for just **\$19.95** per year!

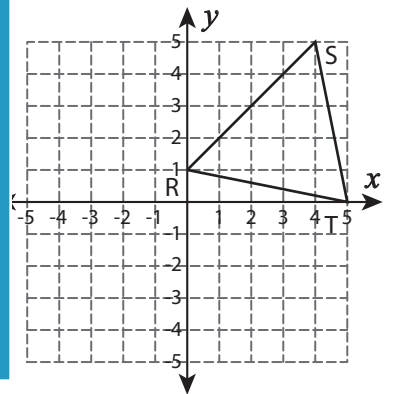
Members, please
log in to
download this
worksheet.

Log in

Not a member?
Please sign up to
gain complete
access.

Sign up

www.mathworksheets4kids.com



Slope of \overline{ZY} = _____

Slope of \overline{YX} = _____

Slope of \overline{ZX} = _____

Slope of \overline{RT} = _____

Slope of \overline{RS} = _____

Slope of \overline{TS} = _____

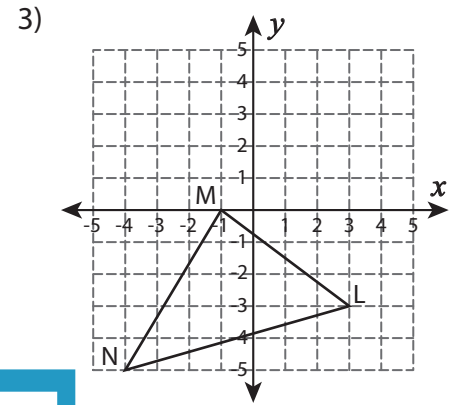
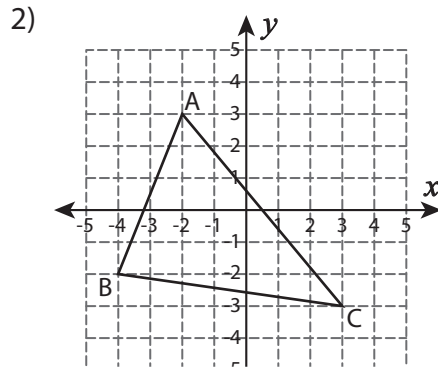
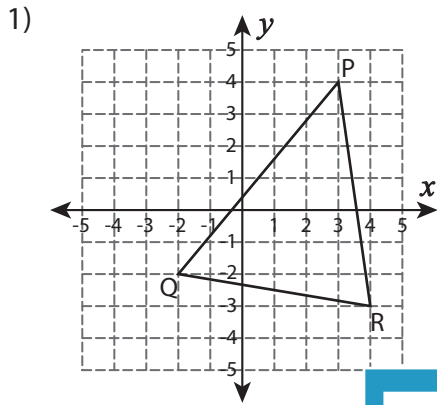
Name : _____

Answer key

Finding Slopes: Shapes

Sheet 4

Identify the slope of each line segment, joined to form a triangle.



Slope of \overline{PQ} = $\frac{6}{5}$

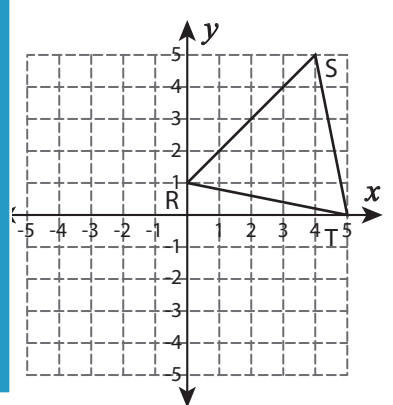
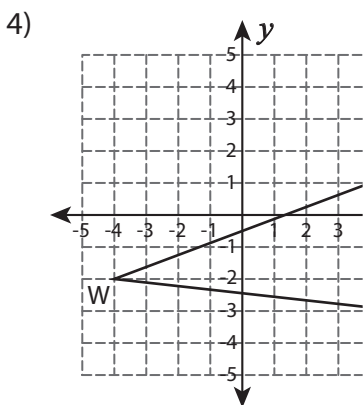
Slope of \overline{QR} = $-\frac{1}{6}$

Slope of \overline{RP} = $-\frac{7}{5}$

Slope of \overline{MN} = $\frac{5}{3}$

Slope of \overline{NL} = $\frac{2}{7}$

Slope of \overline{LM} = $-\frac{3}{4}$



Slope of \overline{UW} = $\frac{3}{8}$

Slope of \overline{ZY} = -1

Slope of \overline{RT} = $-\frac{1}{5}$

Slope of \overline{VW} = $-\frac{1}{9}$

Slope of \overline{YX} = $\frac{7}{3}$

Slope of \overline{RS} = 1

Slope of \overline{VU} = -4

Slope of \overline{ZX} = $\frac{3}{7}$

Slope of \overline{TS} = -5

PREVIEW

Access the largest collection of
worksheets for just **\$19.95** per year!

Members, please
log in to
download this
worksheet.

Log in

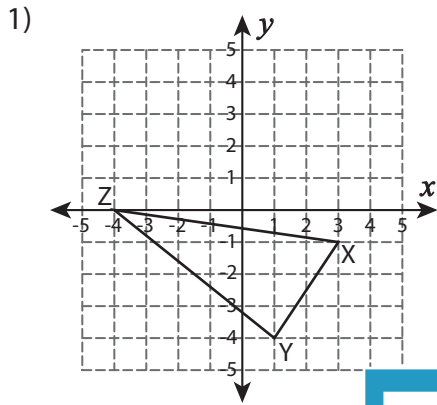
Not a member?
Please sign up to
gain complete
access.

Sign up

www.mathworksheets4kids.com

Finding Slopes: Shapes

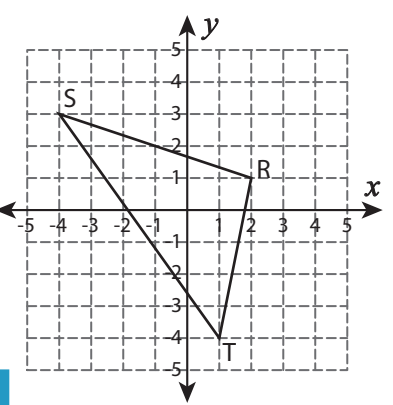
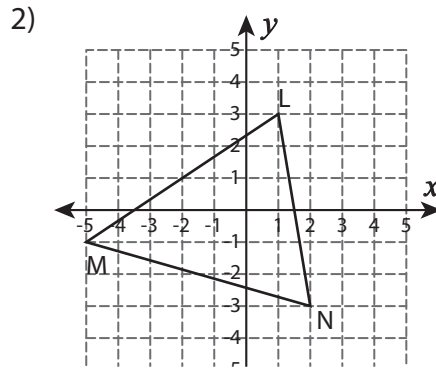
Identify the slope of each line segment, joined to form a triangle.



Slope of \overline{XY} = _____

Slope of \overline{YZ} = _____

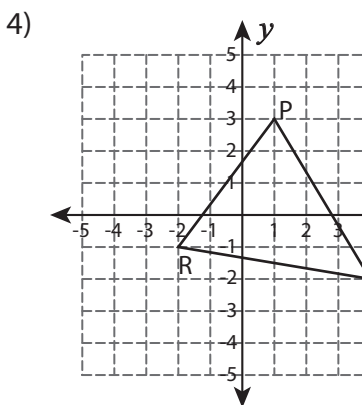
Slope of \overline{ZX} = _____



Slope of \overline{RS} = _____

Slope of \overline{ST} = _____

Slope of \overline{TR} = _____



Slope of \overline{PQ} = _____

Slope of \overline{QR} = _____

Slope of \overline{RP} = _____

PREVIEW

Access the largest collection of
worksheets for just **\$19.95** per year!

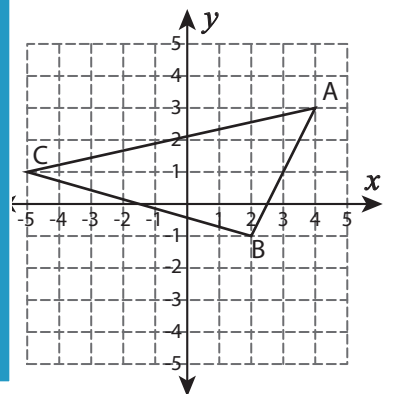
Members, please
log in to
download this
worksheet.

Log in

Not a member?
Please sign up to
gain complete
access.

Sign up

www.mathworksheets4kids.com



Slope of \overline{AB} = _____

Slope of \overline{BC} = _____

Slope of \overline{CA} = _____

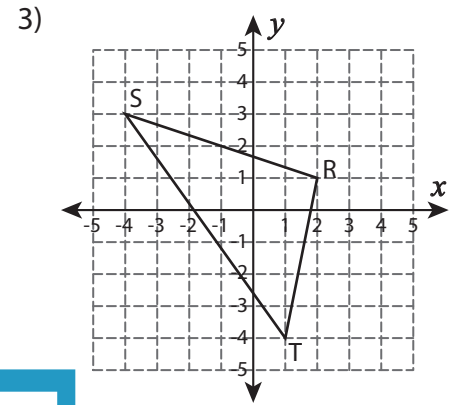
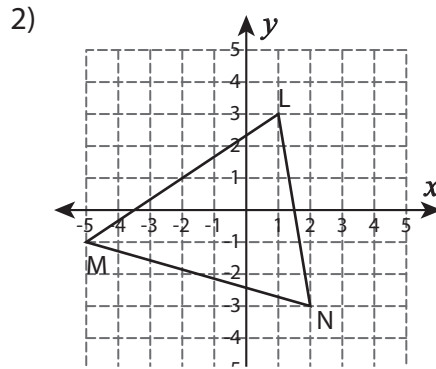
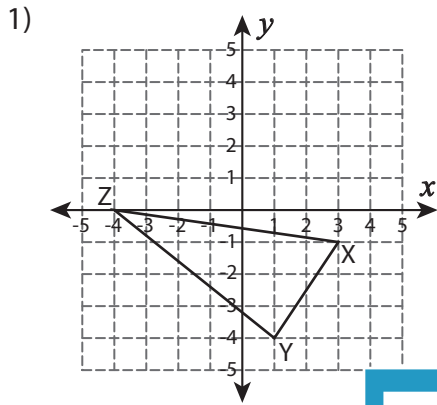
Slope of \overline{UV} = _____

Slope of \overline{VW} = _____

Slope of \overline{WU} = _____

Finding Slopes: Shapes

Identify the slope of each line segment, joined to form a triangle.



Slope of \overline{XY} = $\frac{3}{2}$

Slope of \overline{YZ} = $-\frac{4}{5}$

Slope of \overline{ZX} = $-\frac{1}{7}$

Slope of \overline{RS} = $-\frac{1}{3}$

Slope of \overline{ST} = $-\frac{7}{5}$

Slope of \overline{TR} = 5

PREVIEW

Access the largest collection of
worksheets for just **\$19.95** per year!

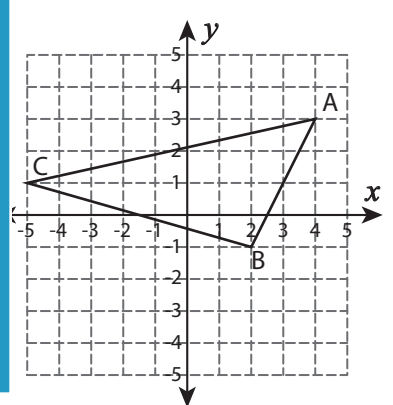
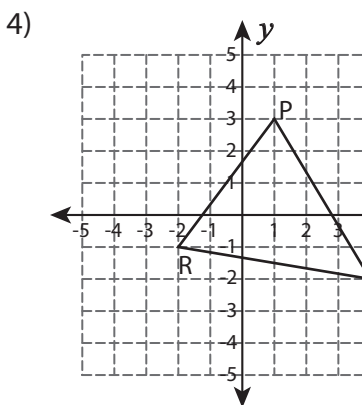
Members, please
log in to
download this
worksheet.

Log in

Not a member?
Please sign up to
gain complete
access.

Sign up

www.mathworksheets4kids.com



Slope of \overline{PQ} = $-\frac{5}{3}$

Slope of \overline{UV} = $\frac{5}{3}$

Slope of \overline{AB} = 2

Slope of \overline{QR} = $-\frac{1}{6}$

Slope of \overline{VW} = -1

Slope of \overline{BC} = $-\frac{2}{7}$

Slope of \overline{RP} = $\frac{4}{3}$

Slope of \overline{WU} = $\frac{1}{7}$

Slope of \overline{CA} = $\frac{2}{9}$